

G E series
SINGLE CYLINDER
GE523S



SINGLE CYLINDER

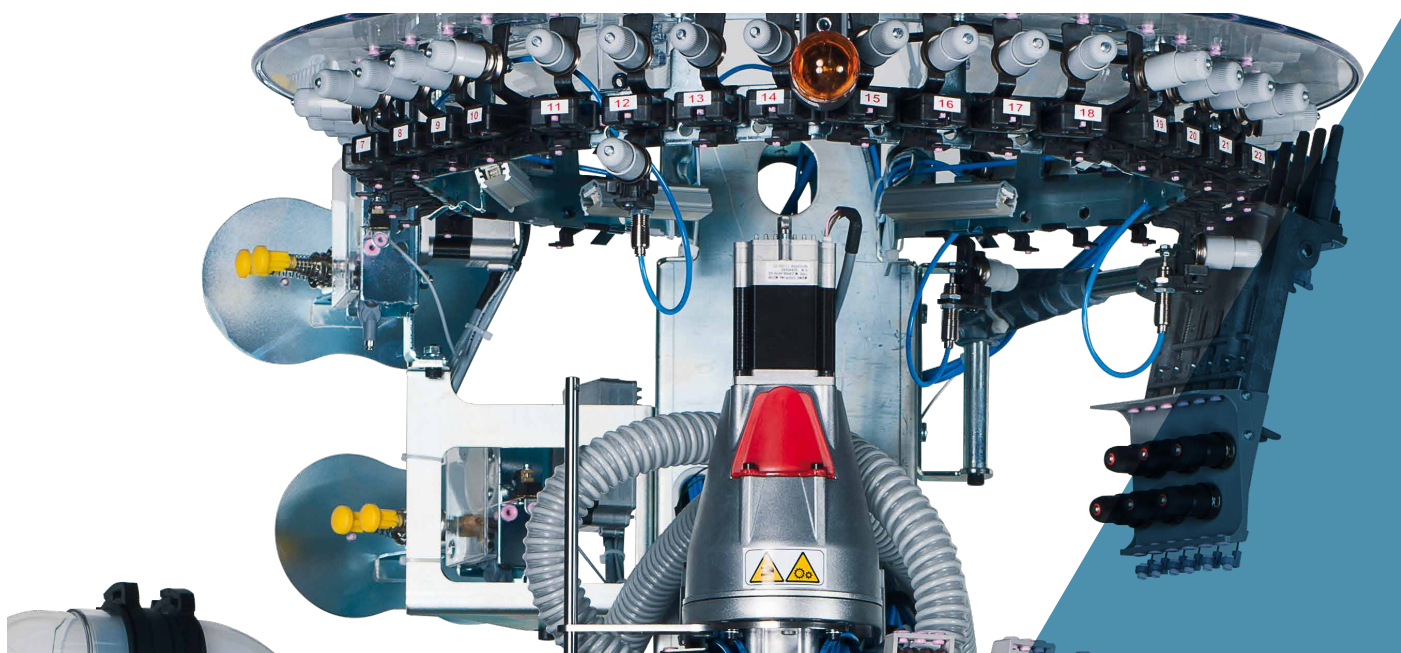
GE523S



KNITTING HEAD
designed to knit high quality items and ensure constant reliability over time

SINKERS CAP
standard terry or plating

NEW ELECTRONICS
9" high resolution touch screen display. New user friendly interface. Ethernet, WiFi, NFC connections, Bluetooth is also available for future developments



All images in this brochure are indicative and not binding.

SINGLE CYLINDER GE523S

A new machine for 2 feeds items with 3 colors pattern. New electronics provides control and execution of all machine commands. Drawings and articles are created and managed by Digraph 3 Plus software package, which contains a full collection of styles the operator can combine in different ways to obtain the desired results.

- 3 colors pattern with 2 feeds, plain knit or terry
- Reciprocated heel and toe in different sizes and 3D effects
- 36 yarn fingers
- Rising dial and finger plate with stepping motor
- 10 electronic actuators for needle selection
- Brushless coaxial main motor

MACHINE DIMENSIONS



Length max 94.5 cm
Depth max 103.3 cm
Height max 180 cm

MACHINE WEIGHT



ca. 230 Kg

SINGLE CYLINDER

GE523S

TECHNICAL DATA

MODEL	CYLINDER DIAMETER	GAUGE	NEEDLE THICKNESS
GE523S	4"	from 6 1/2 to 16	0.85 - 0.70 - 0.60 mm

Above data are indicative and not binding.

STANDARD DEVICES

- Stepper motor electric dial with adjustable height
- Motorized stitch cams
- Motorized sinker cap for sinker pressure and angular position
- 9" high resolution touch screen display
- Yarn sliding sensors guard cleaning device
- Heel yarn recover device with four positions
- 2 yarn finger for laid-in elastic
- 9 yarn fingers on both stitch feed
- Yarn creel
- USB port
- 16 color yarn fingers
- Circular yarn cutter with mechanical stop
- Stepper motor controlled adjustable suction valve

MAIN OPTIONAL DEVICES

- LGL Eco Power or Eco Compact yarn storage feeder, also available with "Attivo" electronic brake version
- Dinema GRYF positive yarn feeders
- Elastic yarn positive feeders, for compression socks
- Dinema Plus elastane positive feeders
- Antitwist device
- Footlet device
- G-Flot device
- G-Flot 2 device
- Elastane extra pliers device, feed 1 and 2
- Recover yarn device, 6 positions
- Led inspection lamps
- Yarn trimming circular cutter with adjustable speed
- Preparation for storage feeder "Unifeeder 2" by B TSR
- Ethernet board for connection to Dinema Nautilus data collector system
- Yarn sliding control sensors, Dinema ISPY
- Pneumatic yarn tensioner for covered elastane
- Suction fan

POSSIBLE KNITTING

The standard machine can perform the following knittings

- Mesh, tuck and float stitch, jacquard, 2 feeds, plain knit or terry
- 3 colors pattern plus ground color, mesh, tuck and float stitch, jacquard, 2 feeds, plain knit or terry
- 2 colors pattern plus ground color, mesh, tuck and float stitch, jacquard, 2 feeds, plain knit or terry
- With laid-in elastic: 2 colors pattern plus ground color, tuck and float stitch, 2 feed, plain knit or terry
- With laid-in elastic: 1 color pattern plus ground color, mesh, tuck and float stitch, 2 feeds, plain knit or terry

SINGLE CYLINDER

GE523S

NUMBER OF COLORS

Number of colors	3 colors on course plus ground color, two feeds
------------------	---

PERFORMANCES

	4" CYLINDRES
KNITTING FEATURES	Patterns or selections or terry 300 rpm Plain knit without pattern, high speed sinker cap 300 rpm
MAXIMUM SPEED	300 rpm

Above data are indicative and not binding.

DISCLAIMER: maximum speed may vary depending on yarn, knitting, lubrication etc.

GAUGE

Model	ø	GAUGE																			
		6½	7	7½	8	8½	9	9½	10	10½	11	11½	12	12½	13	13½	14	14½	15	15½	16
GE523S	4"	84	88	96		108 112		116 120		128 132	136	144		156 160		168	176	180	188	192	200
		Spessore ago 0.85 mm																			
		Spessore ago 0.70 mm										Spessore ago 0.70 mm					Spessore ago 0.60 mm				

Above data are indicative and not binding.

DISCLAIMER:

All features in the brochure are for information only and subject to change without any prior notice.

For a complete list of available options, please contact Lonati sales network.
The Company accepts no liability for improper use of machinery.

SINGLE CYLINDER

GE523S

NOISE LEVEL (Maximum noise output for GE series models)

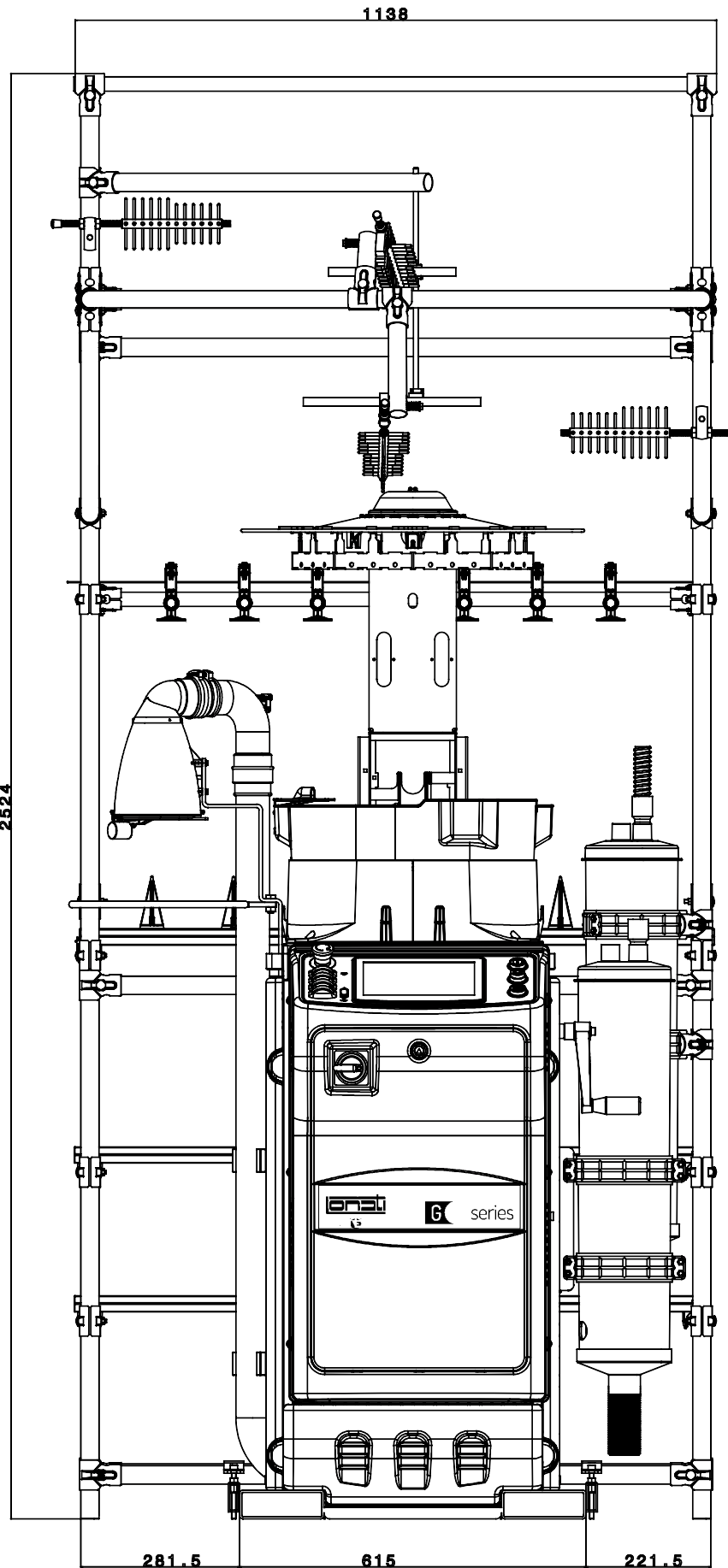
Noise pressure level on reference surface = LPA 79,5 dB - Noise power level = LWA 96,6 dB - Peak= 109,3 dB

LUBRICANTS

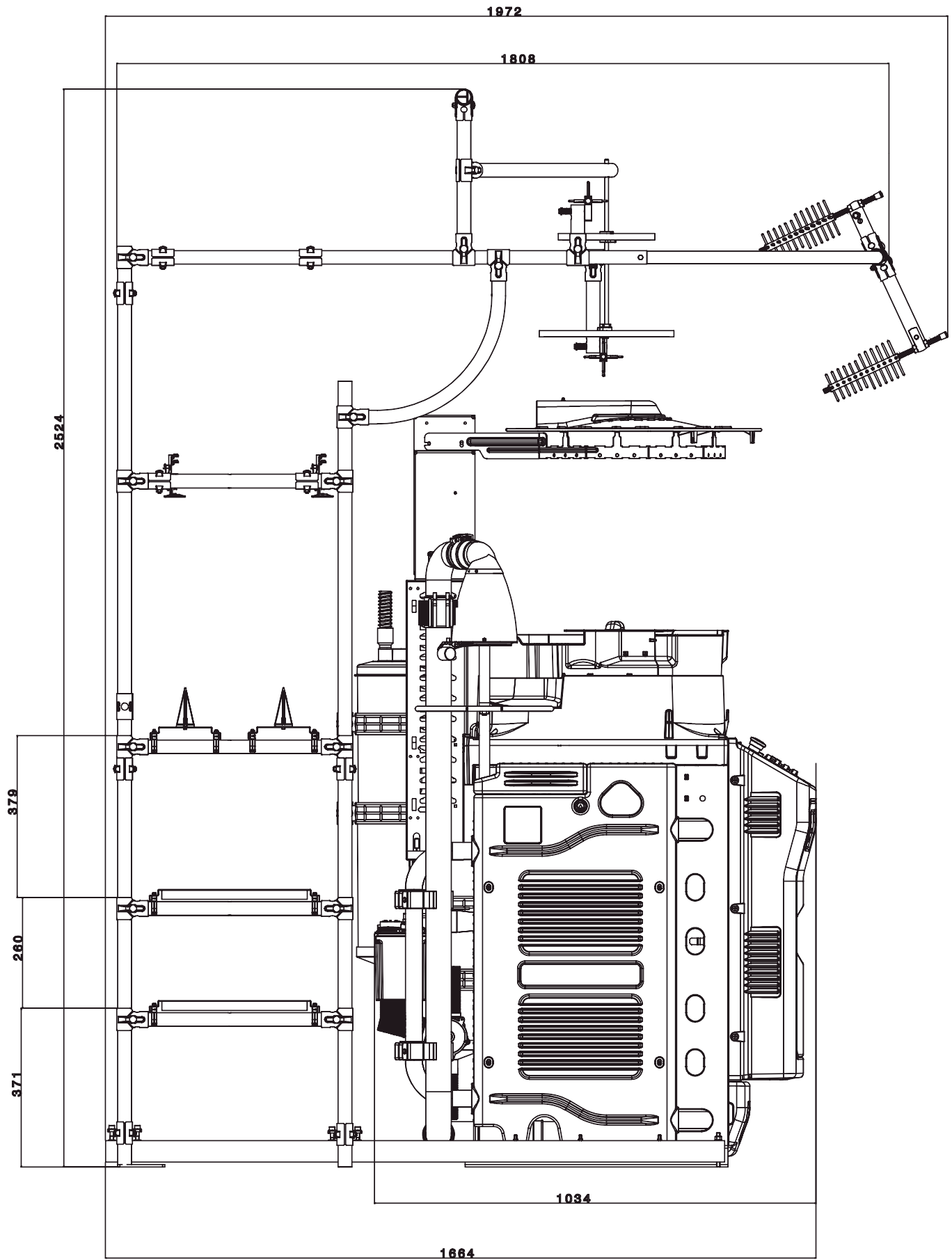
Average consumption for 100 dozens= 270 gr. Lonati recommends: Kluber Madol 183 Supreme - Fuchs Renolin Trax 16C - VICKERLUBE SOCK 46

GREASE

For seals, bearings etc: Lonati recommends: TechnolubeSeals Damping grease Nyogel 774F-1



DESCRIPTION	CODE	NR. OF REELS	WEIGHT KG.	NOTES
Yarn creel	G3930706	23	20	Standard version
Yarn creel	G3930707	23	20	Version with BTR sensors



DESCRIPTION	CODE	NR. OF REELS	WEIGHT KG.	NOTES
Yarn creel	G3930706	23	20	Standard version
Yarn creel	G3930707	23	20	Version with BTSR sensors





LONATI SPA

Via Francesco Lonati, 3 | 25124 Brescia (Italy)

Tel. +39 03023901 | Fax +39 030 2310024

C.F.: 01469680175 | P.iva: 02096730961

info@lonati.com - www.lonati.com