

L **E** series

WOMEN'S SINGLE CYLINDER
LBE04E7 - LBE24E7



WOMEN'S SINGLE CYLINDER

LBE04E7 - LBE24E7



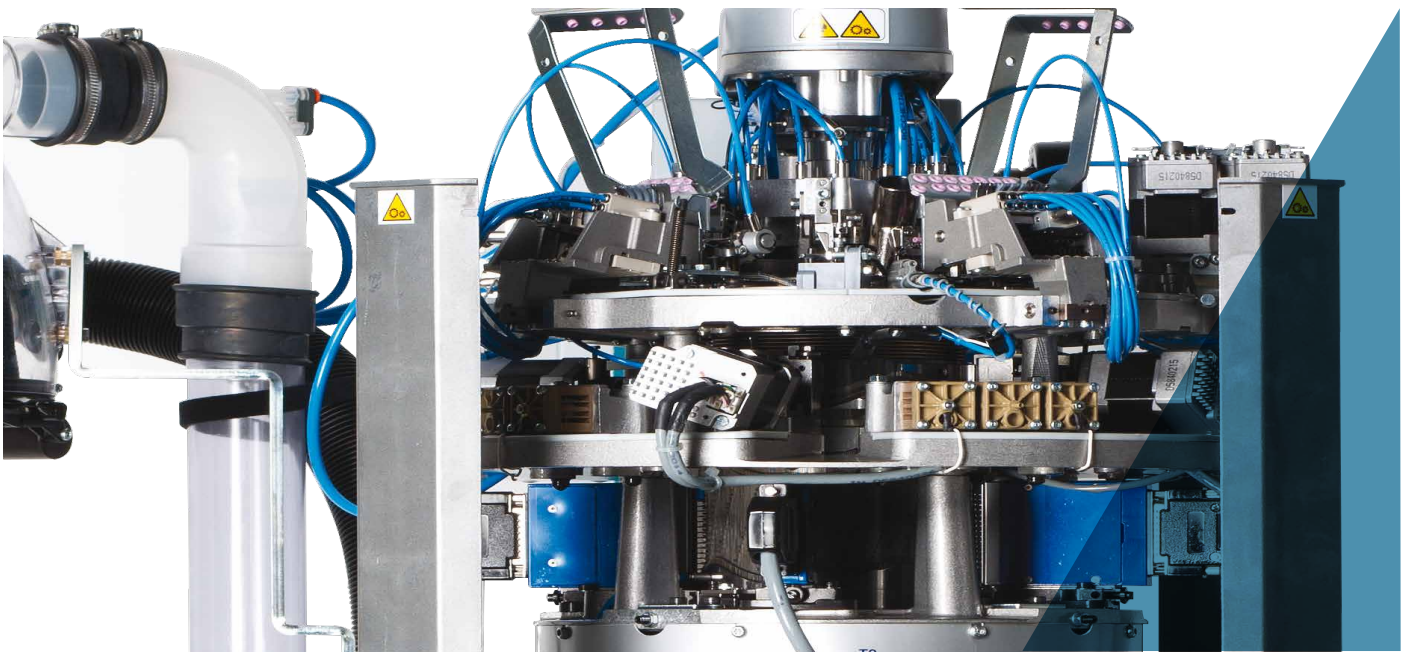
4 YARNFINGERS UNITS
Electropneumatic
yarn fingers

RISING DIAL UNIT
Pneumatic system

4 STITCH UNITS
Fixed units with
pneumatic control
of heights

**4 SELECTION
DEVICES**
Electronic selection
system

NEW ELECTRONICS
9" high resolution touch
screen display. New user-
friendly interface. Ethernet,
WiFi, NFC connections,
Bluetooth is also available for
future developments



All images in this brochure are indicative and not binding.

WOMEN'S SINGLE CYLINDER

LBE04E7 - LBE24E7

Electropneumatic single cylinder 4 feeds machine with 1 electronic needle-by-needle selection unit on each feed for the manufacture of stockings and pantyhose in jacquard, baguette and bikini patterns. Pneumatic stitch cams, single or double dial jacks, electronic device to maintain the size at any temperature of the machine.

- 4 feeds single cylinder machine
- 6 pliers suction unit
- 24 yarnfingers
- Motorized sinkers cap, 1 motor
- 4 stitch cams with pneumatic control of heights
- 1 electronic selection unit on each feed

MACHINE DIMENSIONS



Length 60 cm + yarn creel 145 cm
Depth 60 cm + yarn creel 145 cm
Height 136 cm + yarn creel 265 cm

MACHINE WEIGHT



Machine 230 Kg
Yarn creel 70 Kg

CERTIFICATION



Green
Label

WOMEN'S SINGLE CYLINDER

LBE04E7 - LBE24E7

TECHNICAL DATA

MODEL	CYLINDER DIAMETER	GAUGE	NEEDLE THICKNESS
LBE04E7 (Needle latch 7 mm)	4"	32	0.34 mm
LBE24E7 (Needle latch 7 mm)	4" 1/4	32	0.34 mm

Above data are indicative and not binding.

TECHNICAL FEATURES

- 26 or 40 reels yarn creel;
- Sock ejection hood;
- Yarn waste filter;
- Stepper motor controlled suction valve;
- Rotary or fixed antitwist device;
- 4 pull-out stitch unit with motorized movement by heights;
- 6 pliers suction unit (plates, hooks and cut-pick);
- 4 yarn sliding sensors;
- Extra-latch opener for open-work;

OPTIONAL DEVICES

- DREAM or DREAM ONE device for stretching socks in ejection
- 1,1 or 2,2 Kw suction fan
- Nautilus software licence
- Dinema GRYF yarn feeder, 12 max
- Dinema Plus medical or bare elastomer yarn feeders, 4 max
- Yarn sensors, 24 max
- Motorized sinkers cap, 2 motors (LBE24E7 only)
- 4 motorized stitch cams (LBE24E7 only)

SUITABLE YARNS

The machine is designed to be used with the following yarns:

- Nylon;
- Filanca;
- Elastomers (bare, single or double cover);
- Stretch, for transparent items;

POSSIBLE KNITTINGS

The standard machine can perform the following knittings

- Plain knit
- 1:1, 3:1, 5:1, 7:1, 1:3 fixed mesh, micromech and diagonal mesh
- Different selections for vertical cutting bands
- Several 1:1, 2:2 (cut boss) pattern, bikini pattern, pattern heel etc.
- Supp-hose on 2 or 4 feeds
- Plain knit plating on 2 or 4 feeds

WOMEN'S SINGLE CYLINDER

LBE04E7 - LBE24E7

NUMBER OF COLORS

Number of colors

Working feeds 1-2-3-4: one color each course

PERFORMANCES

	4" CYLINDER DIAMETER(ON LBE04E7)	4" 1/4 CYLINDER DIAMETER (ON LBE24E7)
GAUGE	32	32
KNITTING FEATURES	550 rpm with pattern, stitch cams at 55°	500 rpm with pattern, stitch cams at 55°
	650 rpm plain knit, no pattern, stitch cams at 55°	550 rpm plain knit, no pattern, stitch cams at 55°
	750 rpm plain knit, no pattern, stitch cams at 48°	700 rpm plain knit, no pattern, stitch cams at 48°
	850 rpm plain knit, no pattern, stitch cams at 40°	800 rpm plain knit, no pattern, stitch cams at 40°
MAXIMUM SPEED	850 RPM	850 RPM

Above data are indicative and not binding.

DISCLAIMER:

Speed may need to be adjusted according to the inclination of the stitch cams, to the mechanical parts in use and to the yarn.
N.B. All data in the brochure are for information only and subject to change without any prior notice from Lonati SpA.

ALLOWED PERFORMANCES

CHART OF MAXIMUM ALLOWED SPEED IN PLAIN KNIT IN RELATION TO THE INCLINATION TO THE STITCH CAMS . m/c LBE04E7

Stitch cam inclination	Maximum allowed speed in plain knit
40°	850
48°	750
55°	650
58°	500

CHART OF MAXIMUM ALLOWED SPEED IN PLAIN KNIT IN RELATION TO THE INCLINATION TO THE STITCH CAMS . m/c LBE24E7

Stitch cam inclination	Maximum allowed speed in plain knit
40°	800
46°	700
55°	500
58°	450

NUMBER OF POSSIBLE COLORS ON EACH COURSE ACCORDING TO THE NUMBER OF WORKING FEEDS

Working feeds	Number of colors
1° - 2° - 3° - 4°	1 each course

AVAILABLE CYLINDERS FOR LBE04E7

GG75-0,34	320 - 336 - 352 - 368 - 384 - 386 - 400 - 402 - 432
GG70-0,41	288 - 320 - 336 - 352
GG54-0,50	176 - 208 - 240 - 256 - 288 - 320

AVAILABLE CYLINDERS FOR LBE24E7

GG75-0,34	384 - 400 - 416 - 432 - 448
GG70-0,41	320 - 384
GG54-0,50	288

Above data are indicative and not binding.

DISCLAIMER:

All data related to maximum allowed mechanical speed may require to be reduced (to be adjusted according to functional tests on the machine) when using specific particular yarns and/or knitting features.

WOMEN'S SINGLE CYLINDER

LBE04E7 - LBE24E7

NOISE LEVEL

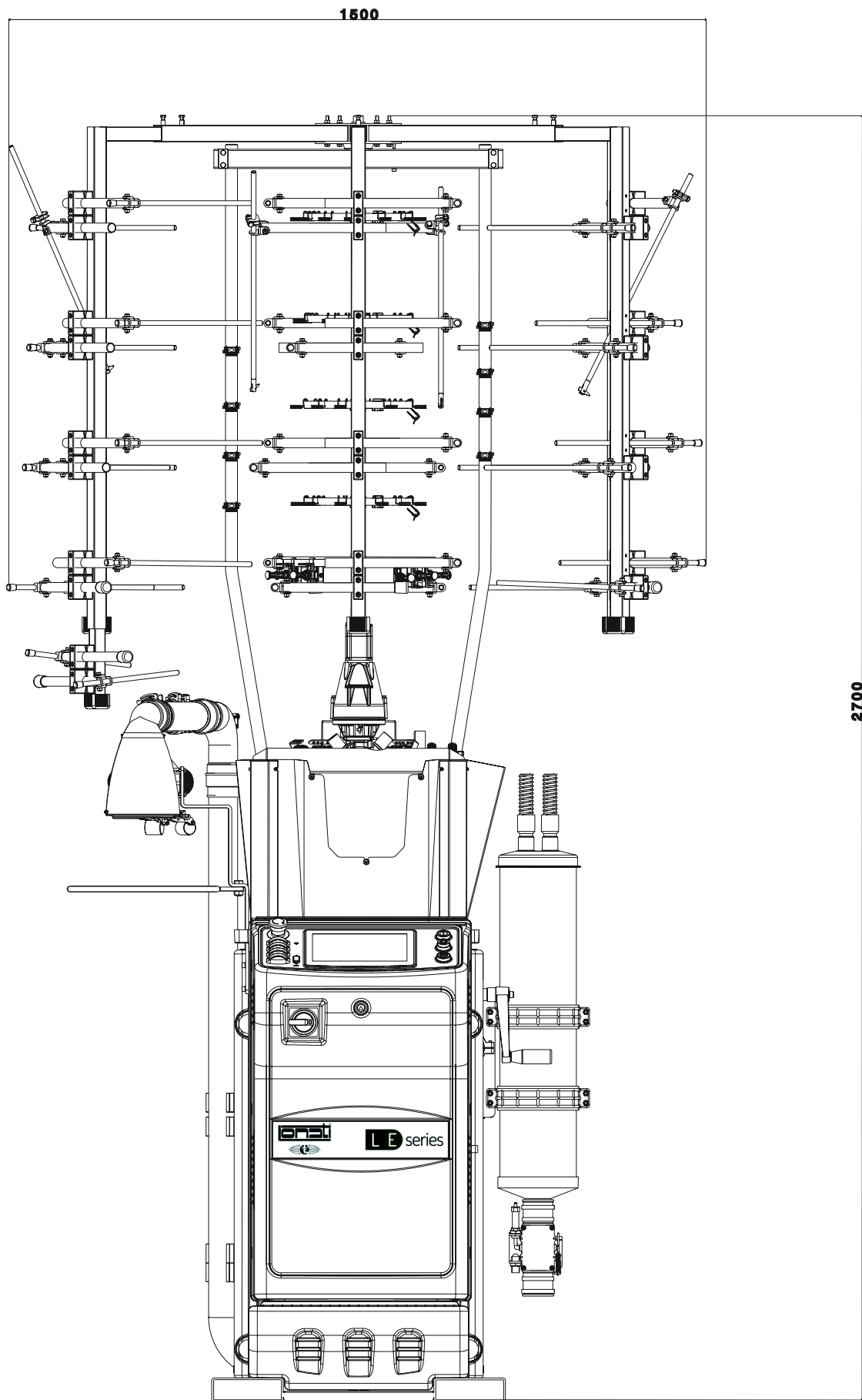
Machine average noise level, suction included LeqA = 74dBA

LUBRICANTS

Average consumption for 500/600 dozens: 1000 gr. - Lonati recommends: Fuchs Renolin Trax 14C - Kluber Tex Sintheso M32 - Esso Eil 0287

GREASE

For seals, bearings etc. Lonati recommends: Damping grease Nyogel 774F

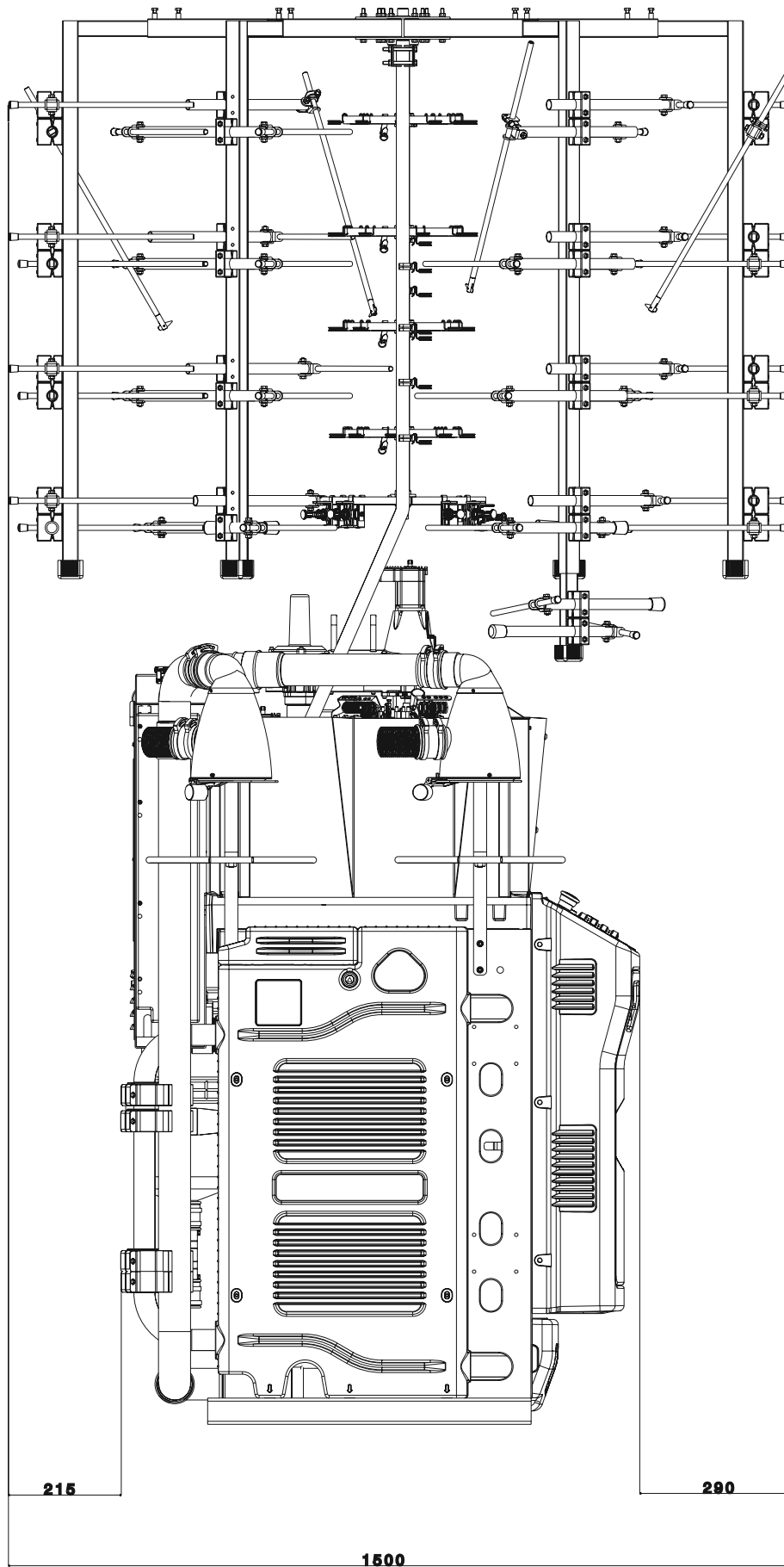


FRONT VIEW

Machine dimensions with 40 reels yarn creel

NOTE:

The picture may show fittings and equipment that are supplied on demand and not.



SIDE VIEW

Machine dimensions with 40 reels yarn creel

NOTE:

The picture may show fittings and equipment that are supplied on demand and not.





LONATI SPA
Via Francesco Lonati, 3 | 25124 Brescia (Italy)
Tel. +39 03023901 | Fax +39 030 2310024
C.F.: 01469680175 | P.iva: 02096730961
info@lonati.com - www.lonati.com