

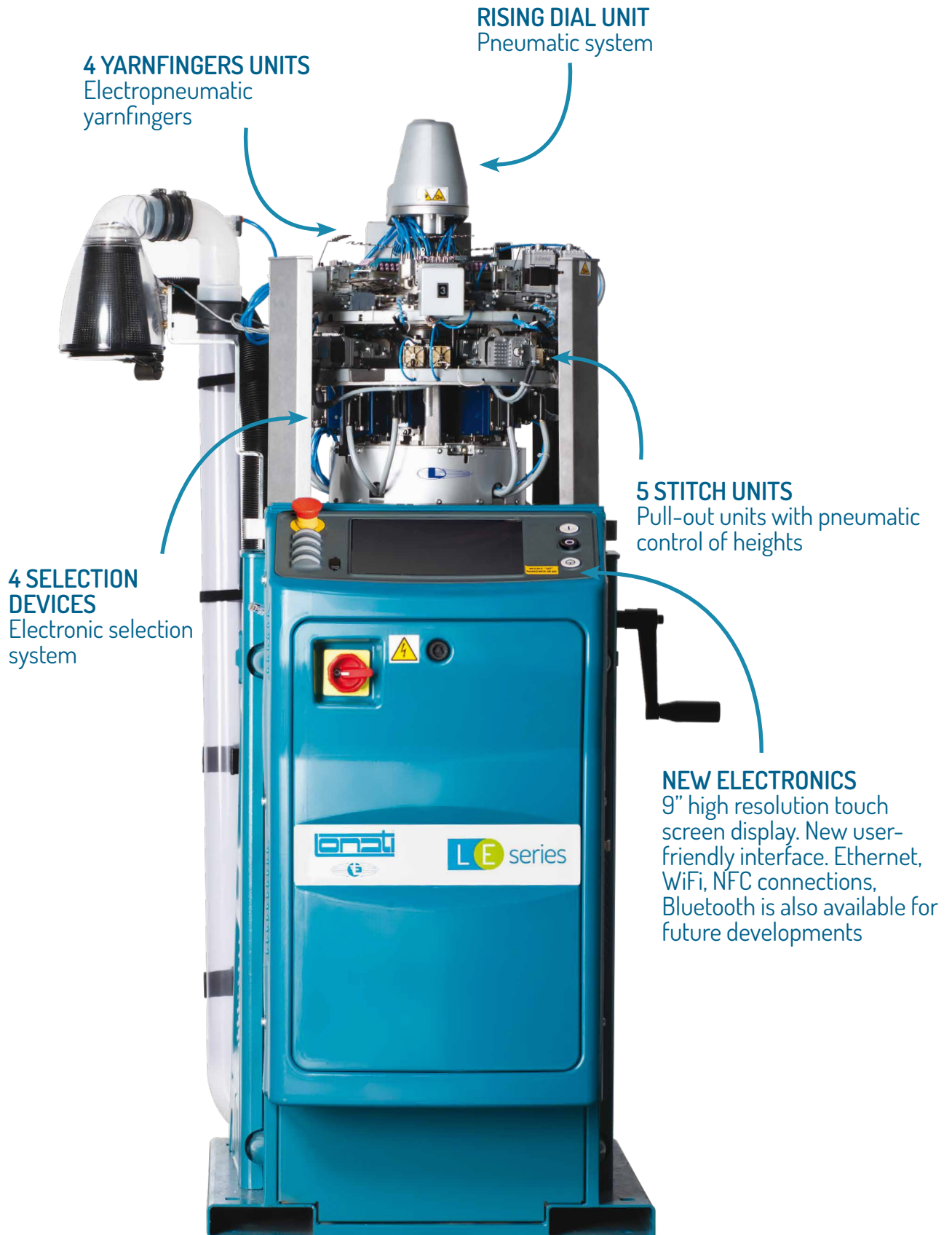
L **E** series

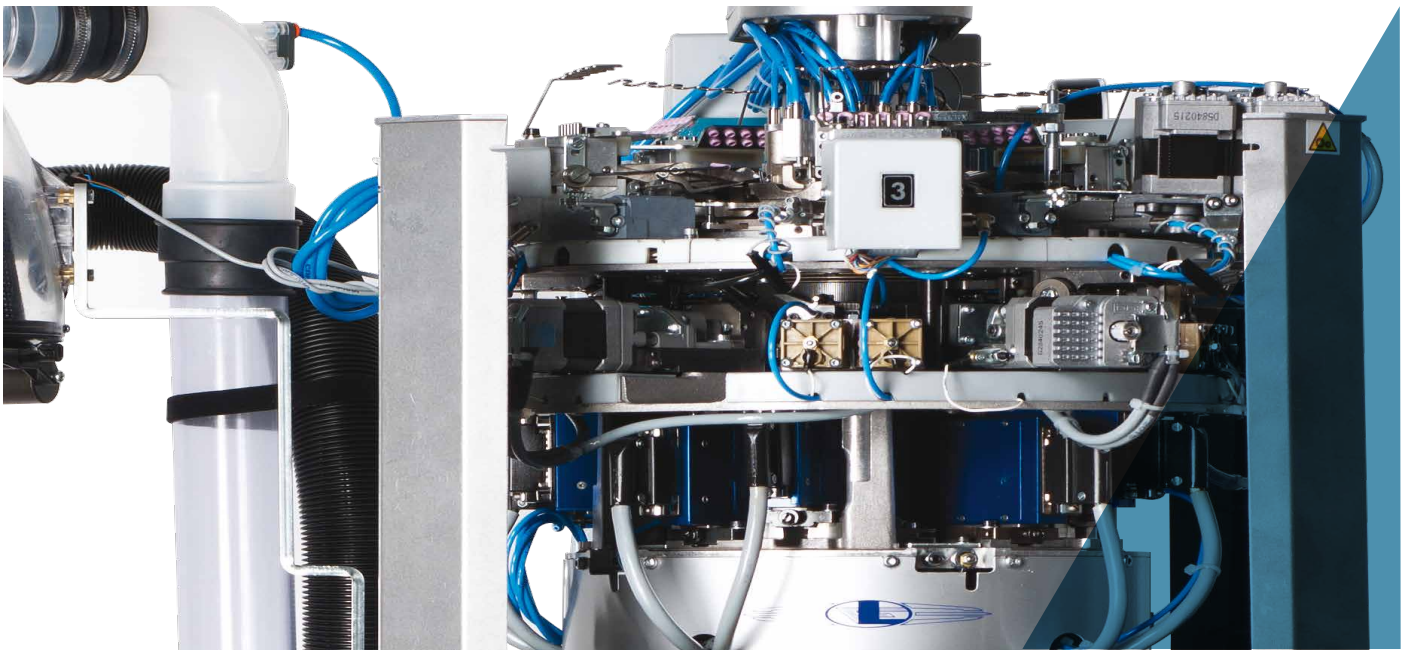
WOMEN'S SINGLE CYLINDER
LBE41TVE



WOMEN'S SINGLE CYLINDER

LBE41TVE





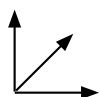
All images in this brochure are indicative and not binding.

WOMEN'S SINGLE CYLINDER LBE41TVE

Single cylinder 4 feeds machine for the production of socks and pantyhose with reciprocated heel and toe on 1 feed. 1 electronic selection unit on each feed, selector overturn by means of traditional extraction. electronic selection pattern on 2 or 4 feeds, reciprocated heel and toe option in variable size and in any area. Single or double dial jacks. Electronic device to maintain the size at any temperature of the machine.

- 4 feeds single cylinder machine
- 6 pliers suction unit
- 18 yarnfingers
- Motorized sinkers cap, 1 motor
- 5 pneumatic stitch cams
- 1 electronic selection unit on each feed and mechanical devices for "laid-in" selection on feeds 1-2-3

MACHINE DIMENSIONS



Length 60 cm + yarn creel 145 cm
Depth 60 cm + yarn creel 145 cm
Height 136 cm + yarn creel 265 cm

MACHINE WEIGHT



Machine 230 kg
Yarn creel 70 kg

CERTIFICATION



Green
Label

WOMEN'S SINGLE CYLINDER

LBE41TVE

TECHNICAL DATA

MODEL	CYLINDER DIAMETER	GAUGE	NEEDLE THICKNESS
LBE41TVE (needle latch ago mm. 9,5)	4"	from 14 to 34	0,34 - 0,41 - 0,50 - 0,60 mm

Above data are indicative and not binding.

STANDARD DEVICES

- 40 or 26 reels yarn creel
- Sock ejection hood
- Yarn waste filter
- Stepper motor controlled suction valve
- Rotary or fixed antitwist device
- 5 stitch unit with pneumatic control
- 6 pliers suction unit (plates, hooks and cut-pick)
- 8 yarn sliding sensors

OPTIONAL DEVICES

- DREAM or DREAM ONE device for stretching socks in ejection
- 2,2 Kw suction fan
- Nautilus software licence
- Dinema GRYF yarn feeder, 12 max
- Dinema Plus medical or bare elastomer yarn feeders, 4 max
- Yarn sensors, 24 max

SUITABLE YARNS

The machine is designed to be used with the following yarns:

- Nylon
- Filanca
- Elastomers (bare, single or double cover)
- Stretch, for transparent items

POSSIBLE KNITTINGS

The standard machine can perform the following knittings

- Plain knit
- 1:1, 3:1, 5:1, 7:1, 1:3 fixed mesh, micromesh and diagonal mesh
- Several pattern, tucking, bikini pattern, cut boss etc
- Reciprocated option in variable size and in any area
- Supp-hose on 2 or 4 feeds
- Plating plain knit on 2 or 4 feeds

WOMEN'S SINGLE CYLINDER

LBE41TVE

NUMBER OF COLORS

Number of colors

- Working feeds 1-2-3-4: one color each course
- Working feeds 1-3 or 2-4: 2 colors each course
- Working feed 4: 4 colors each course

PERFORMANCES

	CILINDRI Ø 4"
GAUGE	32
MAXIMUM SPEED	550 RPM

Above data are indicative and not binding.

DISCLAIMER:

Speed may need to be adjusted according to the inclination of the stitch cams, to the mechanical parts in use and to the yarn.
N.B. All data in the brochure are for information only and subject to change without any prior notice from Lonati SpA.

ALLOWED PERFORMANCES

Stitch cam inclination	Maximum allowed speed in plain knit
55°	550

NUMBER OF POSSIBLE COLORS ON EACH COURSE ACCORDING TO THE NUMBER OF WORKING FEEDS

Working feeds	Number of colors
1° - 2° - 3° - 4°	1 each course
2° - 4°	2 each course
4°	3 each course

AVAILABLE CYLINDERS

GG75-0,34	320 - 336 - 352 - 368 - 384 - 400 - 401 - 402 - 432
GG70-0,41	288 - 304 - 320 - 328 - 336 - 341 - 352 - 358 - 368 - 375
GG54-0,50	176 - 208 - 240 - 256 - 288
GG48-0,60	192 - 200 - 240

Above data are indicative and not binding.

DISCLAIMER:

All data related to maximum allowed mechanical speed may require to be reduced (to be adjusted according to functional tests on the machine) when using specific particular yarns and/or knitting features.

WOMEN'S SINGLE CYLINDER

LBE41TVE

NOISE LEVEL

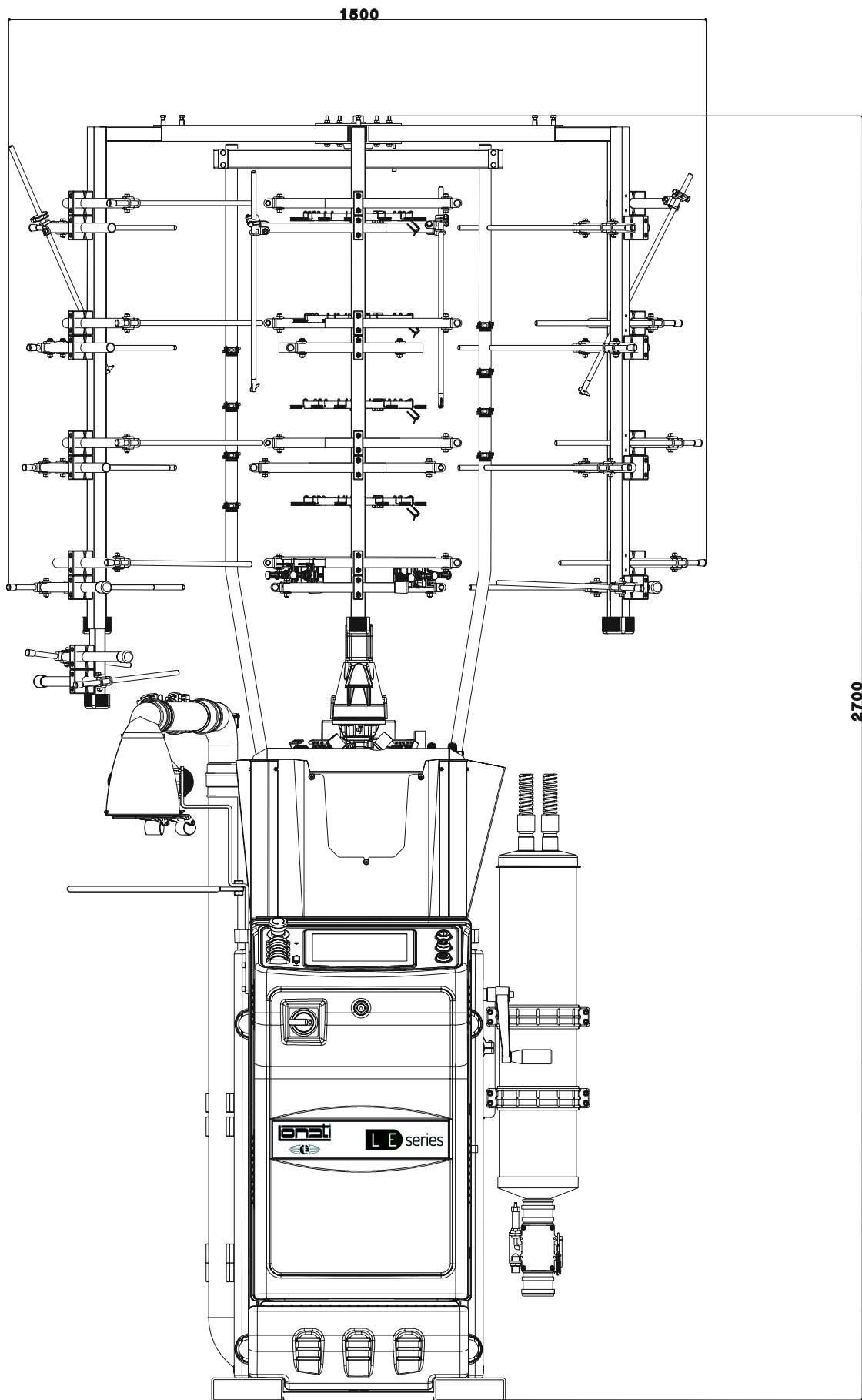
Machine average noise level, suction included LeqA = 74dBA

LUBRICANTS

Average consumption for 500/600 dozens: 1000 gr. - Lonati recommends: Fuchs Renolin Trax 14C - Kluber Tex Sintheso M32 - Esso Eil 0287

GREASE

For seals, bearings etc. Lonati recommends: Damping grease Nyogel 774F

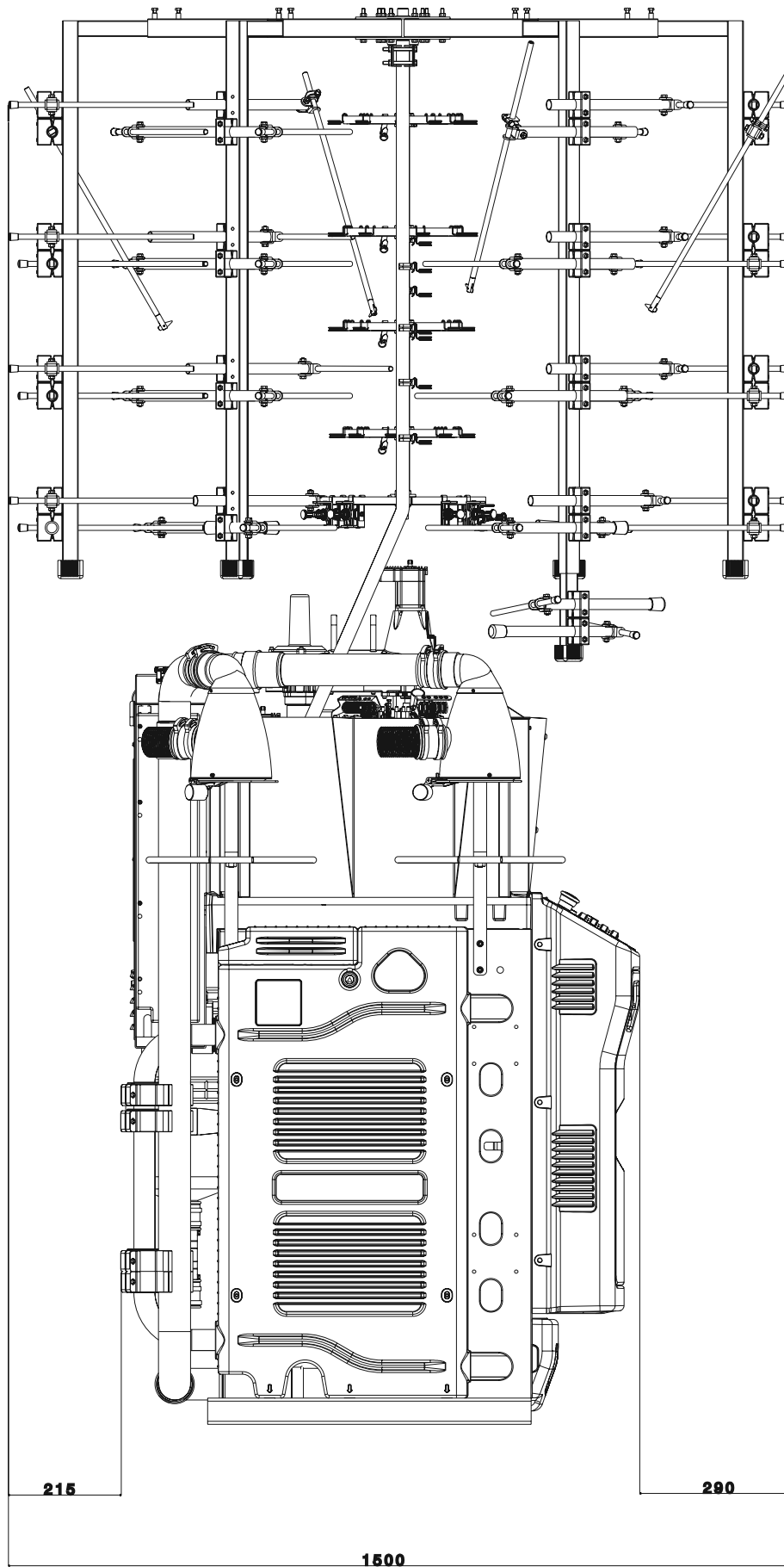


FRONT VIEW

Machine dimensions with 40 reels yarn creel

NOTE:

The picture may show fittings and equipment that are supplied on demand and not.



SIDE VIEW

Machine dimensions with 40 reels yarn creel

NOTE:

The picture may show fittings and equipment that are supplied on demand and not.





LONATI SPA

Via Francesco Lonati, 3 | 25124 Brescia (Italy)

Tel. +39 03023901 | Fax +39 030 2310024

C.F.: 01469680175 | P.iva: 02096730961

info@lonati.com - www.lonati.com