

L **E** series

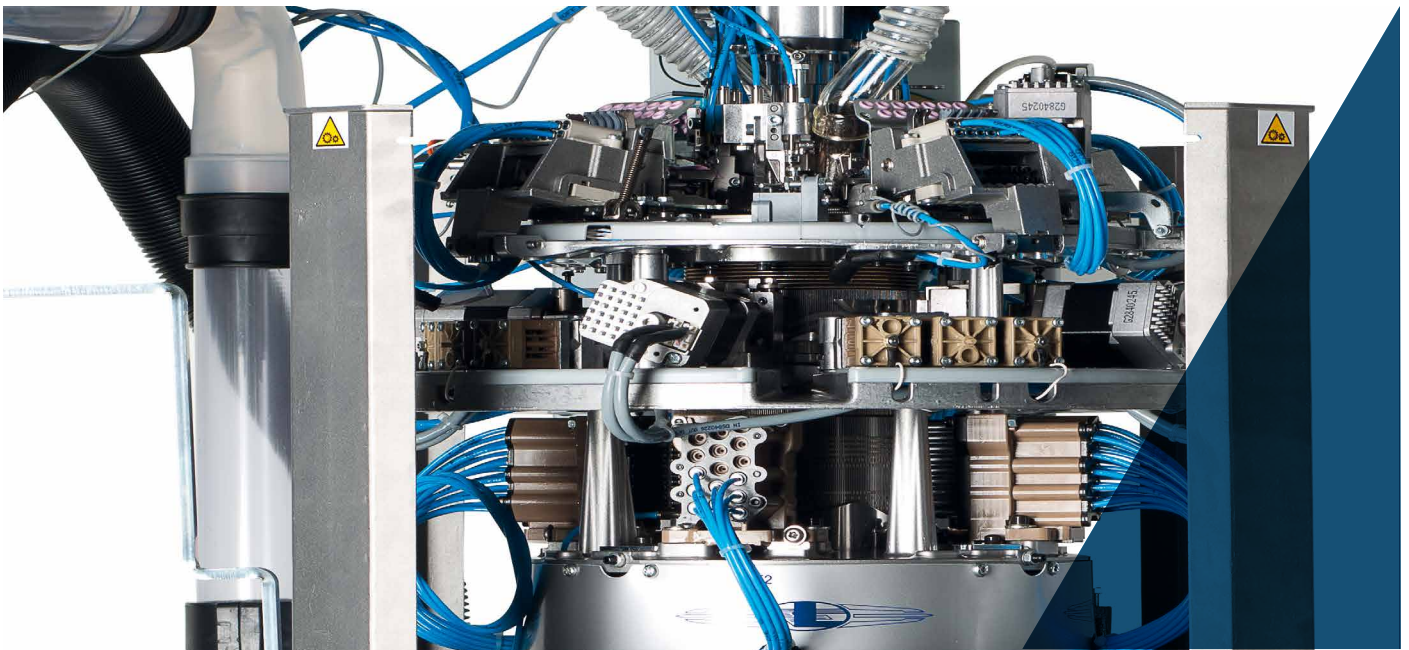
WOMEN'S SINGLE CYLINDER
LBE45P7 - LBE5P7



WOMEN'S SINGLE CYLINDER

LBE45P7 - LBE5P7





All images in this brochure are indicative and not binding.

WOMEN'S SINGLE CYLINDER

LBE45P7 - LBE5P7

Electropneumatic single cylinder, 4 feeds machine for stockings and pantyhose in plain knit, 1x1 and 3x1 fixed mesh on 4 feeds and T-Band, covered lycra plating, 4 feeds plating, size marks and pneumatic selection on all feeds. Single or double dial jacks. Electronic device to maintain size at any temperature on the machine.

- 4 feeds single cylinder machine
- 6 pliers suction unit
- 19 to 24 yarnfingers
- Motorized sinkers cap, 1 motor
- 4 pneumatic stitch cams
- 4 pneumatic selection units on feeds 1-2-3-4 for mesh

MACHINE DIMENSIONS



Length 60 cm + yarn creel cm 130
Depth 60 cm + yarn creel cm 130
Height 136 cm + yarn creel 250 cm

MACHINE WEIGHT



Machine 225 kg
Yarn creel 28 kg

CERTIFICATION



Green
Label

WOMEN'S SINGLE CYLINDER

LBE45P7 - LBE5P7

TECHNICAL DATA

MODEL	CYLINDER DIAMETER	GAUGE	NEEDLE THICKNESS
LBE45P7 (Needle latch 7 mm)	4" 1/2	32	0.34 mm
LBE5P7 (Needle latch 7 mm)	5"	32	0.34 mm

Above data are indicative and not binding.

STANDARD DEVICES

- 26 or 40 reels yarn creel
- Sock ejection hood
- Yarn waste filter
- Stepper motor controlled suction valve
- Rotary or fixed antitwist device
- 2 yarn sliding sensors

OPTIONAL DEVICES

- DREAM or DREAM ONE device for stretching socks in ejection
- 1,1 Kw suction fan
- Nautilus software licence
- Dinema GRYF yarn feeder, 12 max
- Dinema Plus medical or bare elastomer yarn feeders, 4 max
- Yarn sensors, 24 max
- Motorized sinkers cap, 2 motors
- 4 motorized stitch cams

SUITABLE YARNS

The machine is designed to be used with the following yarns:

- Nylon;
- Elastomers (bare, single or double cover)
- Filanca;
- Stretch, for transparent items

POSSIBLE KNITTINGS

The standard machine can perform the following knittings

- Plain knit
- 1:1, 3:1, 5:1, 7:1, 1:3 fixed mesh
- 1:1 on reinforced bands
- Reinforced bands
- Supp-hose on 2 or 4 feeds
- Plating on plain knit on 2 or 4 feeds

WOMEN'S SINGLE CYLINDER

LBE45P7 - LBE5P7

PERFORMANCES

	4" 1/2 CYLINDER DIAMETER	5" CYLINDER DIAMETER
GAUGE	32	32
KNITTING FEATURES	Plain knit, no selectors working, cams at 40°	Plain knit, no selectors working, cams at 40°
MAXIMUM SPEED	600 RPM	600 RPM

Above data are indicative and not binding.

DISCLAIMER:

Speed may need to be adjusted according to the inclination of the stitch cams, to the mechanical parts in use and to the yarn.
N.B. All data in the brochure are for information only and subject to change without any prior notice from Lonati SpA.

ALLOWED PERFORMANCES

CHART OF MAXIMUM ALLOWED SPEED IN PLAIN KNIT IN RELATION TO THE INCLINATION TO THE STITCH CAMS LBE45P7

Stitch cam inclination	Maximum allowed speed in plain knit
40°	750
48°	700
55°	550

CHART OF MAXIMUM ALLOWED SPEED IN PLAIN KNIT IN RELATION TO THE INCLINATION TO THE STITCH CAMS LBE5P7

40°	650
48°	600
55°	500

AVAILABLE CYLINDERS LBE45P7

G688 - 0,26	624
G675 - 0,34	496 - 544

AVAILABLE CYLINDERS LBE5P7

G688 - 0,26	544
G675 - 0,34	448 - 480
G670 - 0,41	368
G654 - 0,50	288 - 336

Above data are indicative and not binding.

DISCLAIMER:

All data related to maximum allowed mechanical speed may require to be reduced (to be adjusted according to functional tests on the machine) when using specific particular yarns and/or knitting features.

WOMEN'S SINGLE CYLINDER

LBE45P7 - LBE5P7

NOISE LEVEL

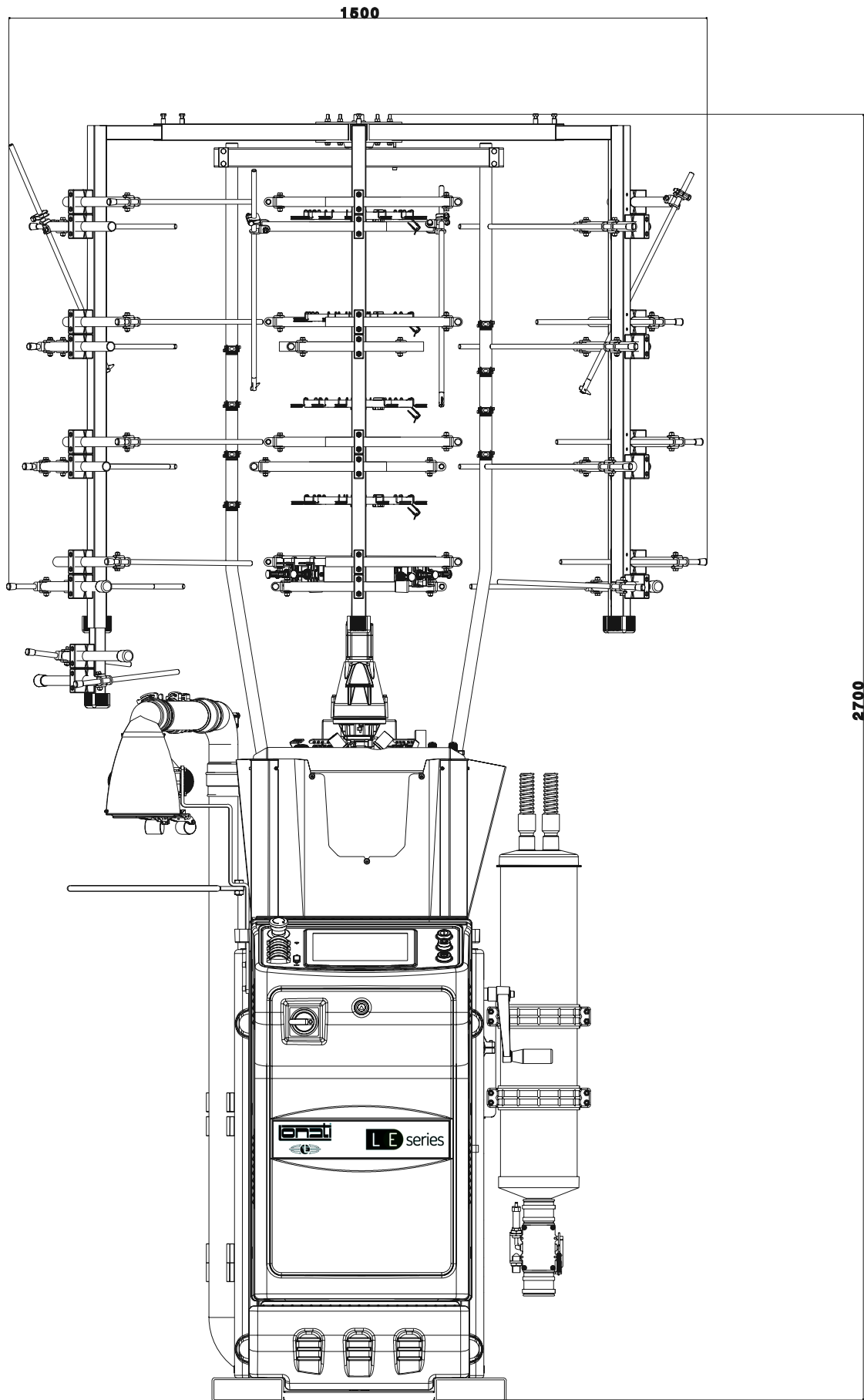
Machine average noise level, suction included LeqA = 74dBA

LUBRICANTS

Average consumption for 500/600 dozens: 1000 gr. - Lonati recommends: Fuchs Renolin Trax 14C - Kluber Tex Sintheso M32 - Esso Eil 0287

GREASE

For seals, bearings etc. Lonati recommends: Damping grease Nyogel 774F

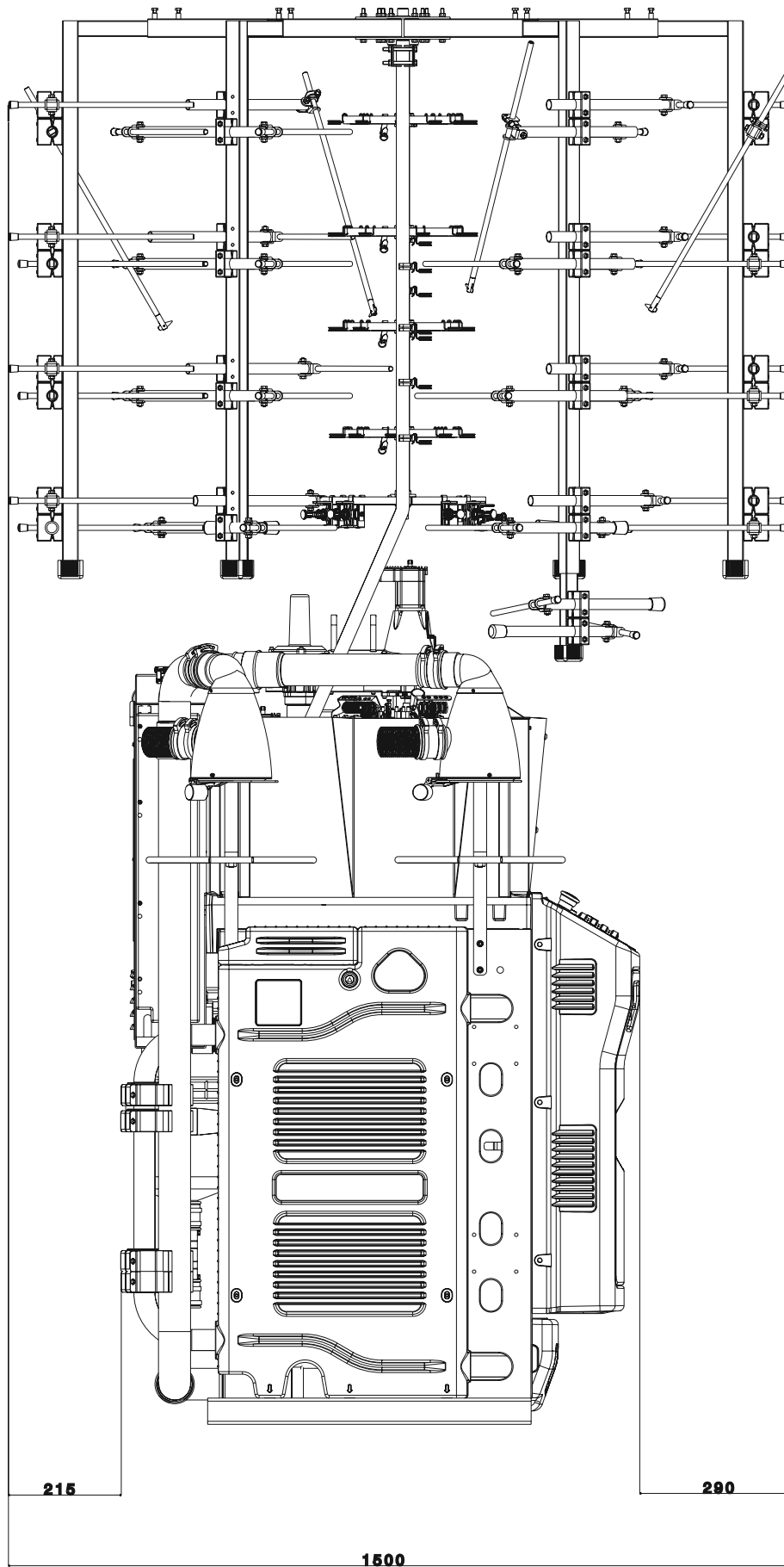


FRONT VIEW

Machine dimensions with 40 reels yarn creel

NOTE:

The picture may show fittings and equipment that are supplied on demand and not.



SIDE VIEW

Machine dimensions with 40 reels yarn creel

NOTE:

The picture may show fittings and equipment that are supplied on demand and not.



lonati[®]
Macchine circolari per calzifici



LONATI SPA

Via Francesco Lonati, 3 | 25124 Brescia (Italy)

Tel. +39 03023901 | Fax +39 030 2310024

C.F.: 01469680175 | P.iva: 02096730961

info@lonati.com - www.lonati.com