

**L** **E** series

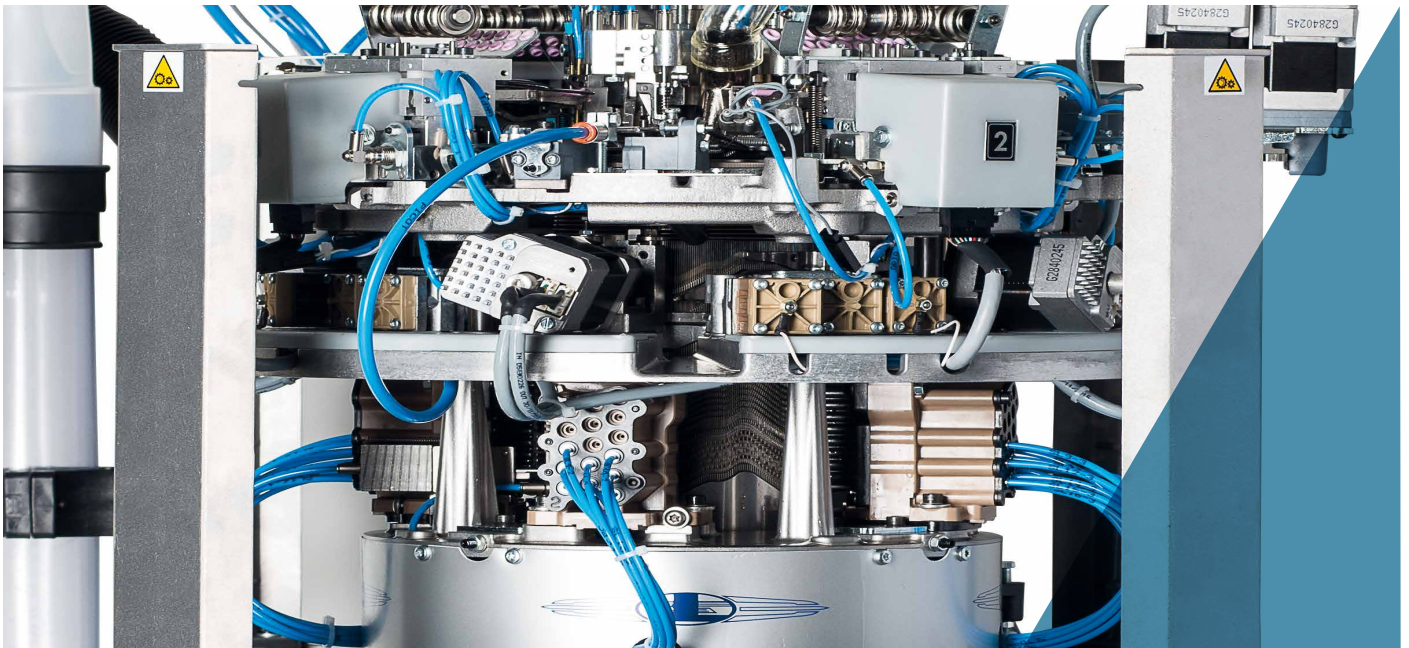
**WOMEN'S SINGLE CYLINDER**  
**LBE45T - LBE5T**



# WOMEN'S SINGLE CYLINDER

LBE45T - LBE5T





All images in this brochure are indicative and not binding.

## WOMEN'S SINGLE CYLINDER

### LBE45T - LBE5T

Electropneumatic single cylinder, 4 feeds machine for pantyhose and leggings in plain knit and/or terry, 1x1 and 3x1 fixed mesh on 4 feeds and T-Band, covered lycra plating, 4 feeds plating, size marks and pneumatic selection on all feeds. Single dial jacks. Electronic device to maintain size at any temperature on the machine.

- 4 feeds single cylinder machine
- 6 pliers suction unit
- 24 yarn fingers
- Motorized sinkers cap, 2 motors
- 4 pneumatic stitch cams
- 4 pneumatic selection units on feeds 1,2,3 and 4 for mesh

#### MACHINE DIMENSIONS



Length 60 cm + yarn creel cm 130  
Depth 60 cm + yarn creel cm 130  
Height 136 cm + yarn creel cm 250

#### MACHINE WEIGHT



Machine 225 kg  
Yarn creel 28 kg

#### CERTIFICATION



Green  
Label

# WOMEN'S SINGLE CYLINDER

## LBE45T - LBE5T

### TECHNICAL DATA

MODEL	CYLINDER DIAMETER	GAUGE	NEEDLE THICKNESS
LBE45T (Needle latch 8,7mm)	4" 1/2	24	0.41 mm
LBE5T (Needle latch 8,7mm)	5"	24	0.41 mm

Above data are indicative and not binding.

### STANDARD DEVICES

- 26 or 40 reels yarn creel;
- Sock ejection hood;
- Yarn waste filter;
- Stepper motor controlled suction valve;
- Rotary or fixed antitwist device;
- 8 yarn sliding sensors;
- Laid-in mechanical device on feed 1 and 3;

### OPTIONAL DEVICES

- DREAM or DREAM ONE device for stretching socks in ejection
- 2,2 Kw suction fan
- Nautilius software licence
- Dinema GRYF yarn feeder, 12 max
- Dinema Plus medical or bare elastomer yarn feeders, 4 max
- Yarn sensors, 24 max
- 4 motorized stitch cams
- Motorized plating yarn finger radial movement

### SUITABLE YARNS

The machine is designed to be used with the following yarns:

- Nylon;
- Elastomers (bare, single or double cover);
- Filanca;

### POSSIBLE KNITTINGS

The standard machine can perform the following knittings

- Terry
- Plain knit
- 1:1, 3:1, 5:1, 7:1, 1:3 fixed mesh
- 1:1 for vertical bands for cutting
- Supp-hose on 2 or 4 feeds
- Plain knit plating on 2 or 4 feeds

# WOMEN'S SINGLE CYLINDER

## LBE45T - LBE5T



### PERFORMANCES

	4" 1/2 CYLINDER DIAMETER	5" CYLINDER DIAMETER
GAUGE	24	24
KNITTING FEATURES	With terry 400 rpm max speed	With terry 350 rpm max speed
MAXIMUM SPEED	500RPM	500 RPM

Above data are indicative and not binding.

#### DISCLAIMER:

Speed may need to be adjusted according to the inclination of the stitch cams, to the mechanical parts in use and to the yarn.  
N.B. All data in the brochure are for information only and subject to change without any prior notice from Lonati SpA.

### ALLOWED PERFORMANCES

CHART OF MAXIMUM ALLOWED SPEED IN PLAIN KNIT IN RELATION TO THE INCLINATION TO THE STITCH CAMS	
Stitch cam inclination	Maximum allowed speed in plain knit
55°	450

AVAILABLE CYLINDERS LBE45T	
GG75-0,34*	-
GG70-0,41	340
GG54-0,50	336
GG48-0,60	256 - 296
GG36-0,70	-

AVAILABLE CYLINDERS LBE5T	
GG75-0,34	-
GG70-0,41	320 - 376 - 440 - 464
GG54-0,50	376
GG48-0,60	288
GG36-0,70	208

Above data are indicative and not binding.

\*Needle thick. 0,34 terry only with synthetic fibres.

#### DISCLAIMER:

All data related to maximum allowed mechanical speed may require to be reduced (to be adjusted according to functional tests on the machine) when using specific particular yarns and/or knitting features.

Lonati is recommending needles from  
**GROZ-BECKERT®**

# WOMEN'S SINGLE CYLINDER

## LBE45T - LBE5T

### NOISE LEVEL

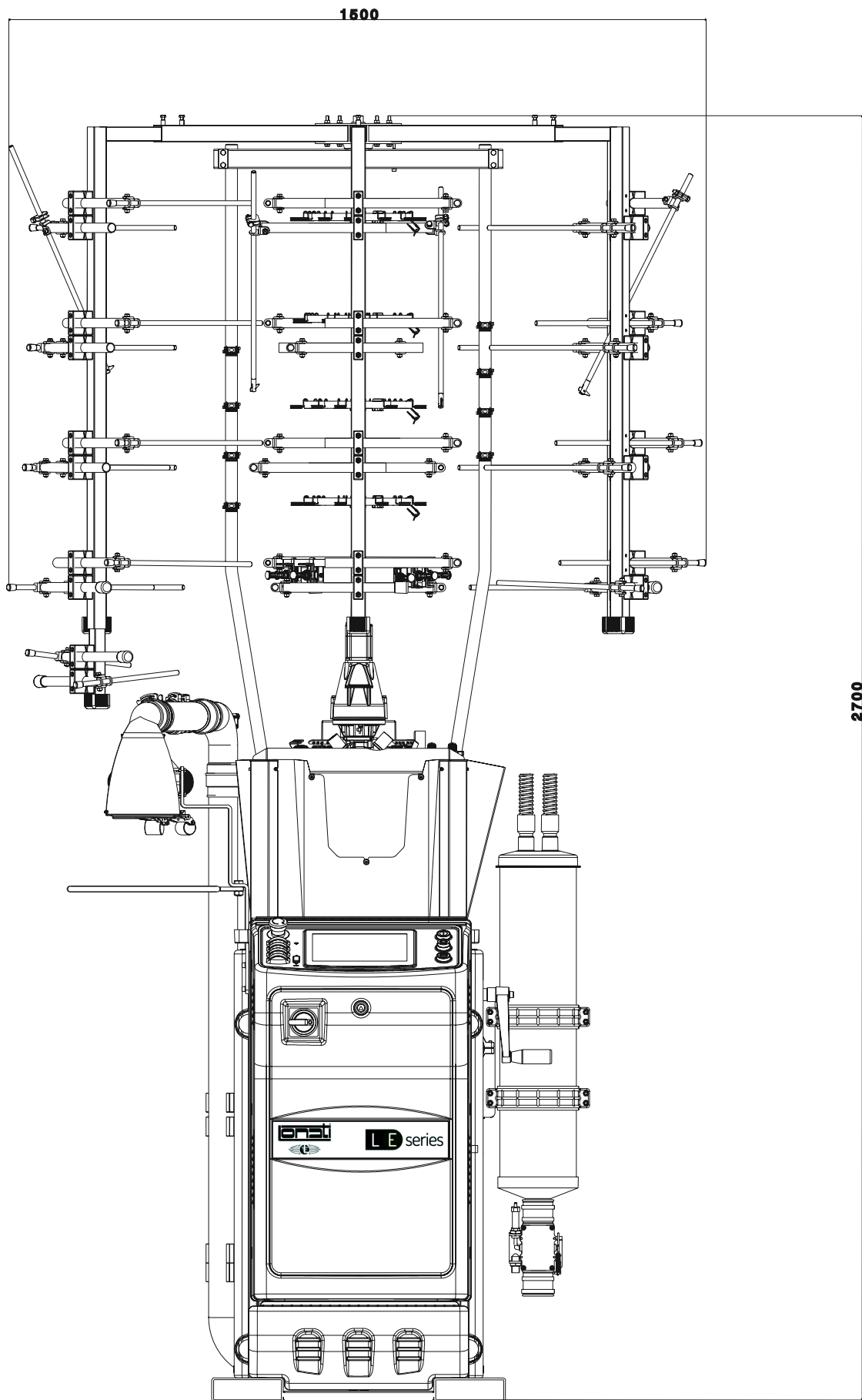
Machine average noise level, suction included LeqA = 74dBA

### LUBRICANTS

Average consumption for 500/600 dozens: 1000 gr. - Lonati recommends: Fuchs Renolin Trax 14C - Kluber Tex Sintheso M32 - Esso Eil 0287

### GREASE

For seals, bearings etc. Lonati recommends: Damping grease Nyogel 774F



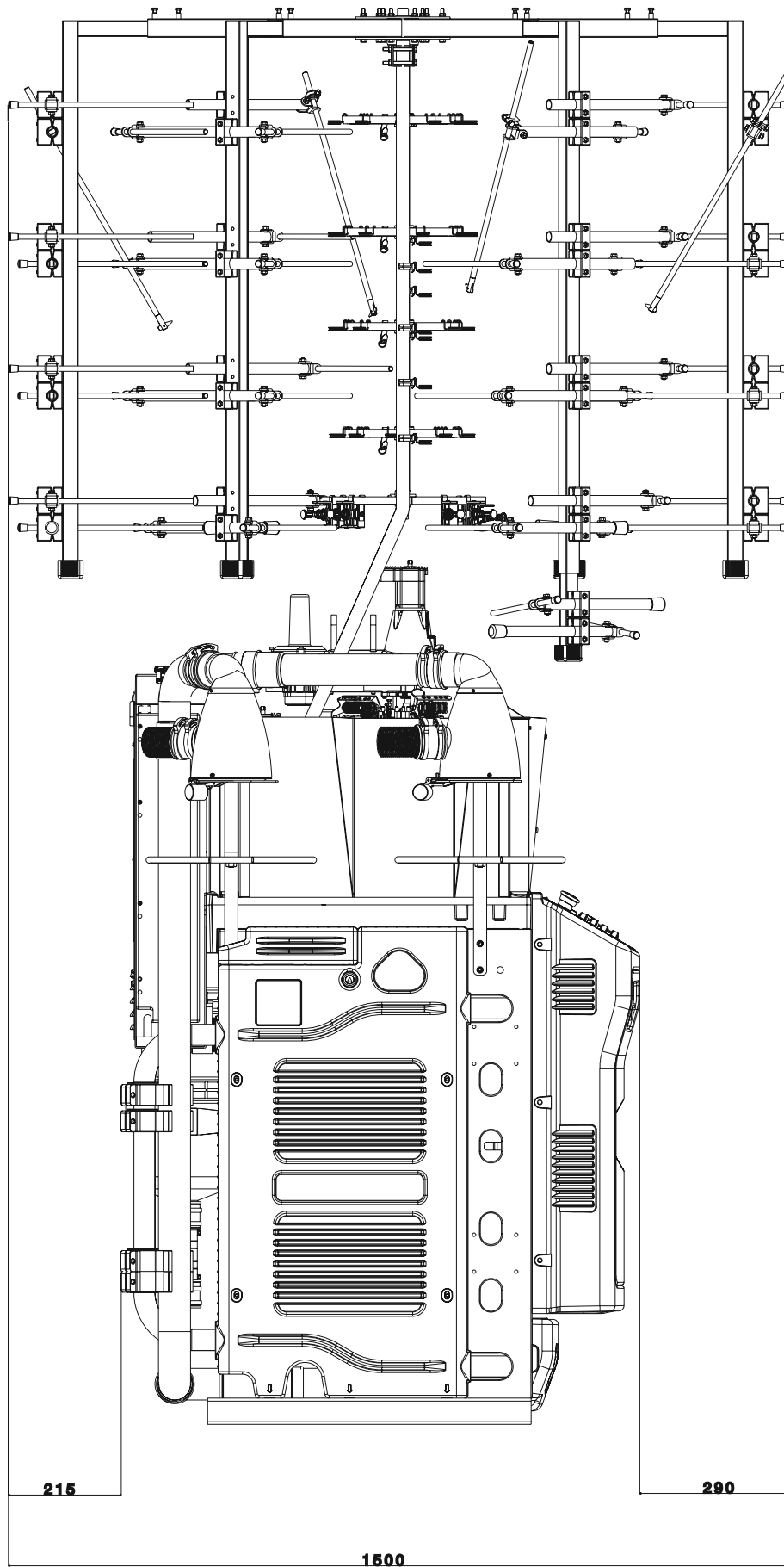
### FRONT VIEW

Machine dimensions with 40 reels yarn creel

### NOTE:

The picture may show fittings and equipment that are supplied on demand and not.





### SIDE VIEW

Machine dimensions with 40 reels yarn creel

### NOTE:

The picture may show fittings and equipment that are supplied on demand and not.







LONATI SPA

Via Francesco Lonati, 3 | 25124 Brescia (Italy)

Tel. +39 03023901 | Fax +39 030 2310024

C.F.: 01469680175 | P.iva: 02096730961

info@lonati.com - www.lonati.com