

**L** **E** series

WOMEN'S SINGLE CYLINDER  
LBE4TS



# WOMEN'S SINGLE CYLINDER

## LBE4TS



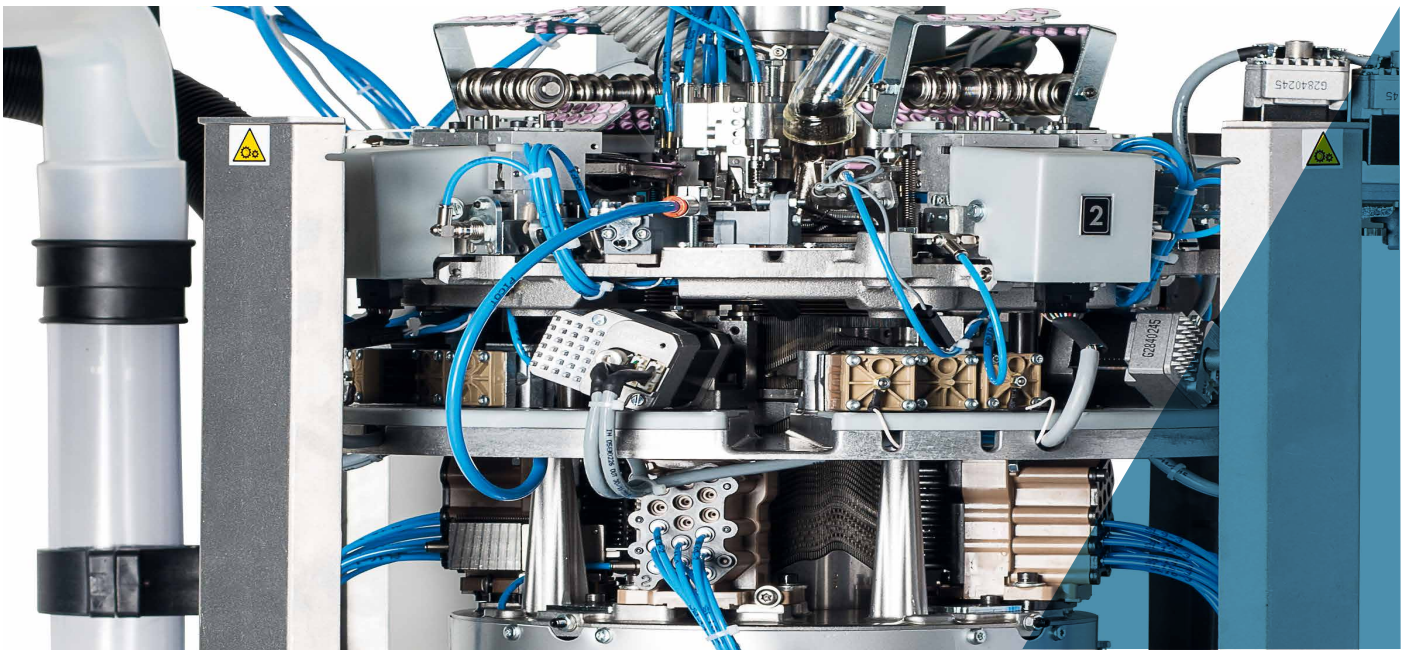
**4 YARNFINGERS UNITS**  
Electropneumatic  
yarnfingers.

**RISING DIAL UNIT**  
Pneumatic system.

**4 SELECTION  
DEVICES**  
Electropneumatic  
selection system.

**4 STITCH UNITS**  
Fixed units with  
pneumatic control  
of heights.

**NEW ELECTRONICS**  
9" high resolution touch  
screen display. New user-  
friendly interface. Ethernet,  
WiFi, NFC connections,  
Bluetooth is also available for  
future developments



All images in this brochure are indicative and not binding.

## WOMEN'S SINGLE CYLINDER LBE4TS

Electropneumatic single cylinder, 4 feeds machine for pantyhose and leggings in plain knit and/or terry and/or natural fibers, 1x1 and 3x1 fixed mesh on 4 feeds and T-Band, covered lycra plating, 4 feeds plating, size marks and pneumatic selection on all feeds. Single or double dial jacks. Electronic device to maintain size at any temperature on the machine.

- 4 feeds single cylinder machine
- 6 pliers suction unit
- 24 yarnfingers
- Motorized sinkers cap, 2 motors
- 4 pneumatic stitch cams
- 4 pneumatic selection units on feeds 1-2-3-4 for mesh

### MACHINE DIMENSIONS



Length 60 cm + yarn creel 130 cm  
Depth 60 cm + yarn creel 130 cm  
Height 136 cm + yarn creel 250 cm

### MACHINE WEIGHT



Machine 225 kg  
Yarn creel 28 kg

### CERTIFICATION



Green  
Label

# WOMEN'S SINGLE CYLINDER

## LBE4TS

### TECHNICAL DATA

MODEL	CYLINDER DIAMETER	GAUGE	NEEDLE THICKNESS
LBE4TS (Needle latch 7 mm)	4"	24	0.41 mm

Above data are indicative and not binding.

### STANDARD DEVICES

- 42 reels "cotton" yarn creel;
- Sock ejection hood;
- Yarn waste filter;
- Stepper motor controlled suction valve;
- Rotary or fixed antitwist device;
- 8 yarn sliding sensors;
- Mechanical laid-in device on feeds 1 and 3;
- Pneumatic radial movement of plating yarnfinger;

### OPTIONAL DEVICES

- DREAM or DREAM ONE device for stretching socks in ejection
- 2,2 Kw suction fan
- Nautilus software licence
- Dinema GRYF yarn feeder, 12 max
- Dinema Plus medical or bare elastomer yarn feeders, 4 max
- Yarn sensors, 24 max
- 4 motorized stitch cams
- Motorized radial movement of plating yarnfinger
- LGL unwind yarn device kit - 8 max

### SUITABLE YARNS

The machine is designed to be used with the following yarns:

- Cotton
- WAI
- Natural fibers yarn
- Elastomers (bare, single or double cover)
- Filanca
- Nylon

### POSSIBLE KNITTINGS

The standard machine can perform the following knittings

- Terry
- Plain knit
- 1:1, 3:1, 5:1, 7:1, 1:3 fixed mesh
- 1:1 on vertical bands for cutting
- Supp-hose on 2 or 4 feeds
- Plating on plain knit on 2 or 4 feeds

# WOMEN'S SINGLE CYLINDER

## LBE4TS

### PERFORMANCES

	4" CYLINDER DIAMETER
GAUGE	from 10 to 32
KNITTING FEATURES	450 rpm maximum in terry
MAXIMUM SPEED	500 RPM

Above data are indicative and not binding.

#### DISCLAIMER:

speed may need to be adjusted according to the inclination of the stitch cams, to the mechanical parts in use and to the yarn.  
N.B. All data in the brochure are for information only and subject to change without any prior notice from Lonati SpA.

### ALLOWED PERFORMANCES

CHART OF MAXIMUM ALLOWED SPEED IN PLAIN KNIT IN RELATION TO THE INCLINATION TO THE STITCH CAMS	
Stitch cam inclination	Maximum allowed speed in plain knit
58°	450

AVAILABLE CYLINDERS	
GG75-0,34*	400
GG70-0,41	300 - 336 - 352
GG54-0,50	288
GG48-0,60	240 - 208
GG36-0,70	128 - 176

Above data are indicative and not binding.

\*Needle thick. 0,34 terry only with synthetic fibres.

#### DISCLAIMER:

All data related to maximum allowed mechanical speed may require to be reduced (to be adjusted according to functional tests on the machine) when using specific particular yarns and/or knitting features.

Lonati is recommending needles from

**GROZ-BECKERT®**

# WOMEN'S SINGLE CYLINDER

## LBE4TS

### NOISE LEVEL

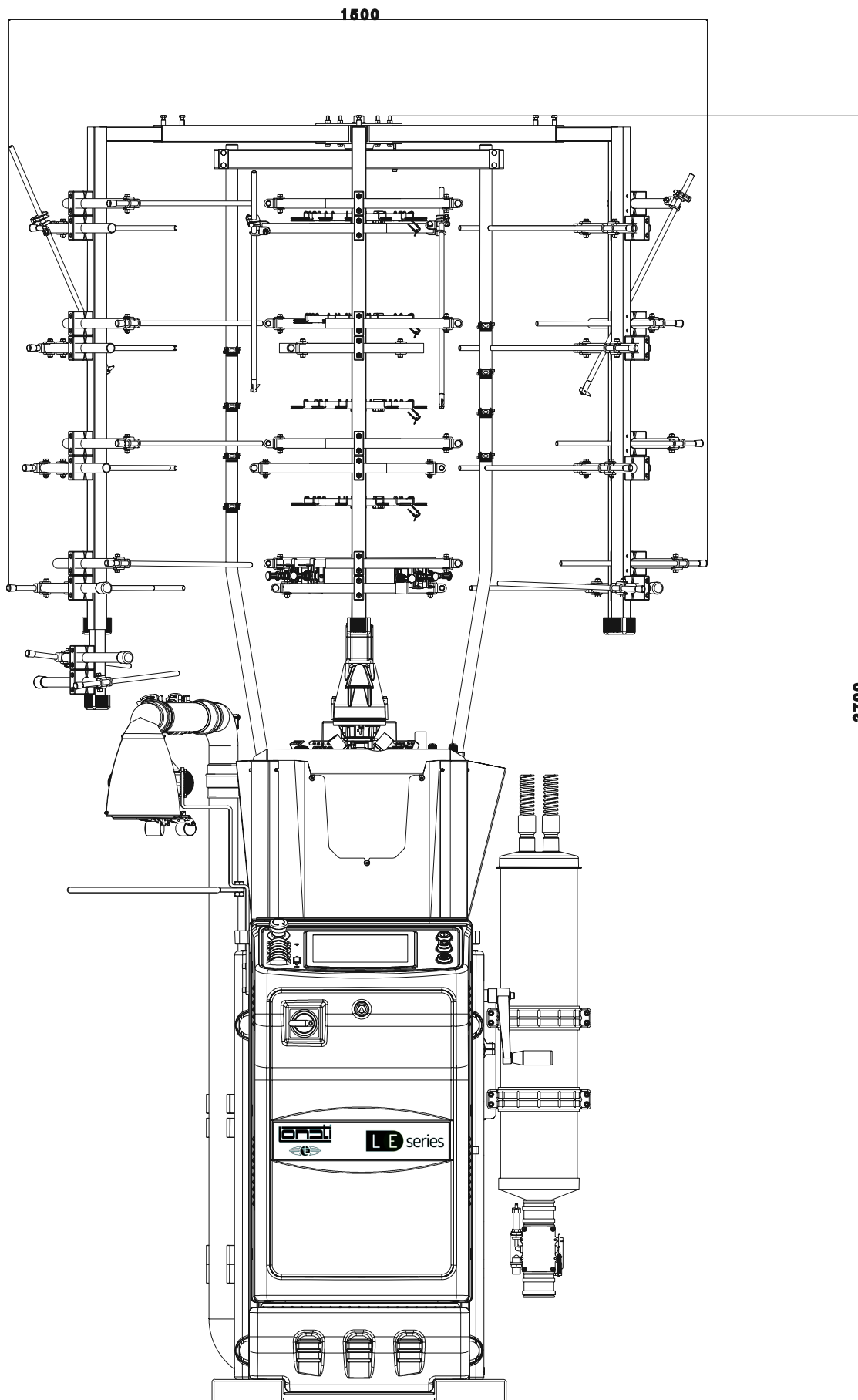
Machine average noise level, suction included LeqA = 74dBA

### LUBRICANTS

Average consumption for 500/600 dozens: 1000 gr. - Lonati recommends: Fuchs Renolin Trax 14C - Kluber Tex Sintheso M32 - Esso Eil 0287

### GREASE

For seals, bearings etc. Lonati recommends: Damping grease Nyogel 774F



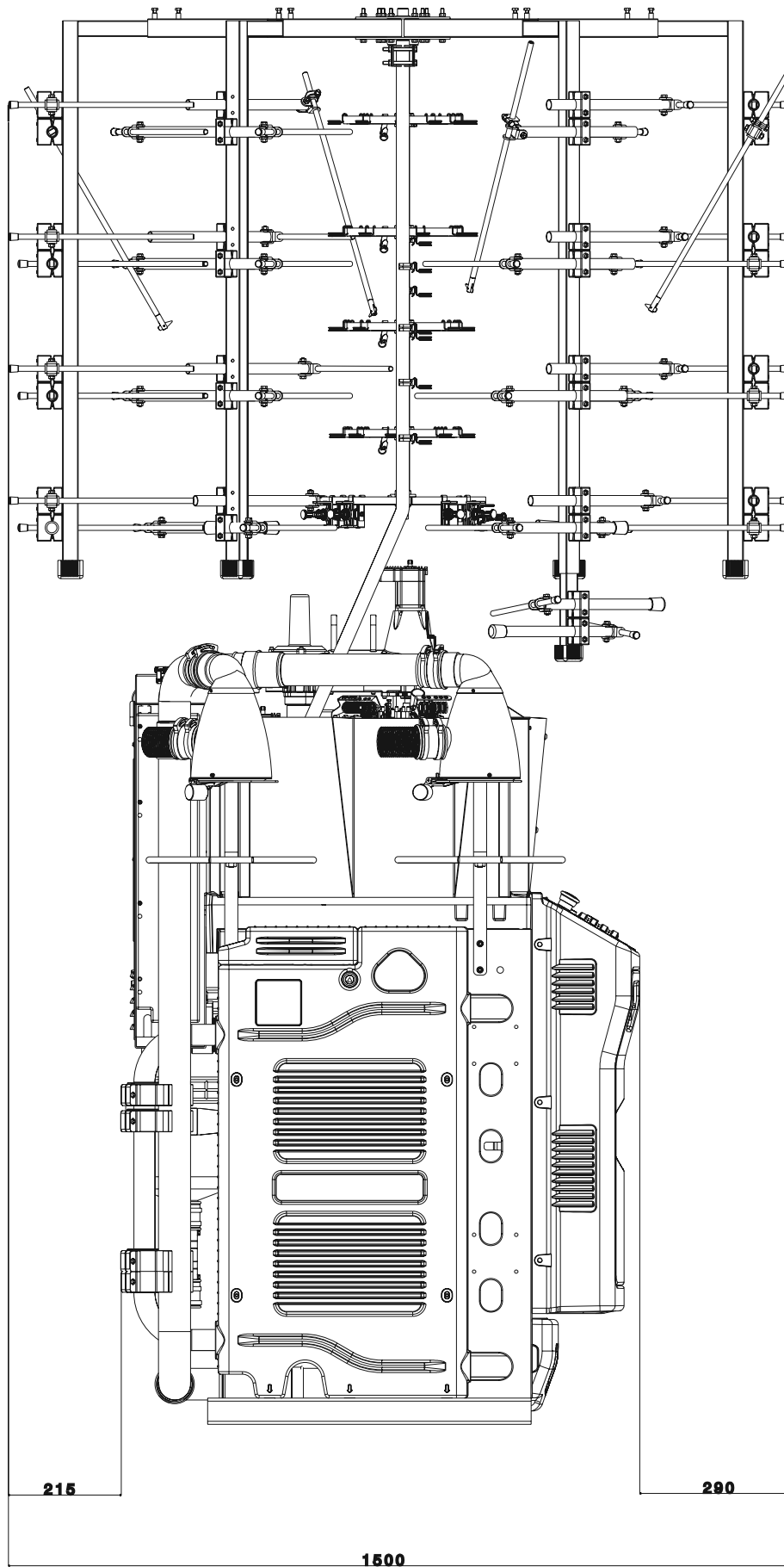
**FRONT VIEW**

Machine dimensions with cotton yarn creel

**NOTE:**

The picture may show fittings and equipment that are supplied on demand and not.





## SIDE VIEW

Machine dimensions with cotton yarn creel

### NOTE:

The picture may show fittings and equipment that are supplied on demand and not.







LONATI SPA

Via Francesco Lonati, 3 | 25124 Brescia (Italy)

Tel. +39 03023901 | Fax +39 030 2310024

C.F.: 01469680175 | P.iva: 02096730961

info@lonati.com - www.lonati.com