

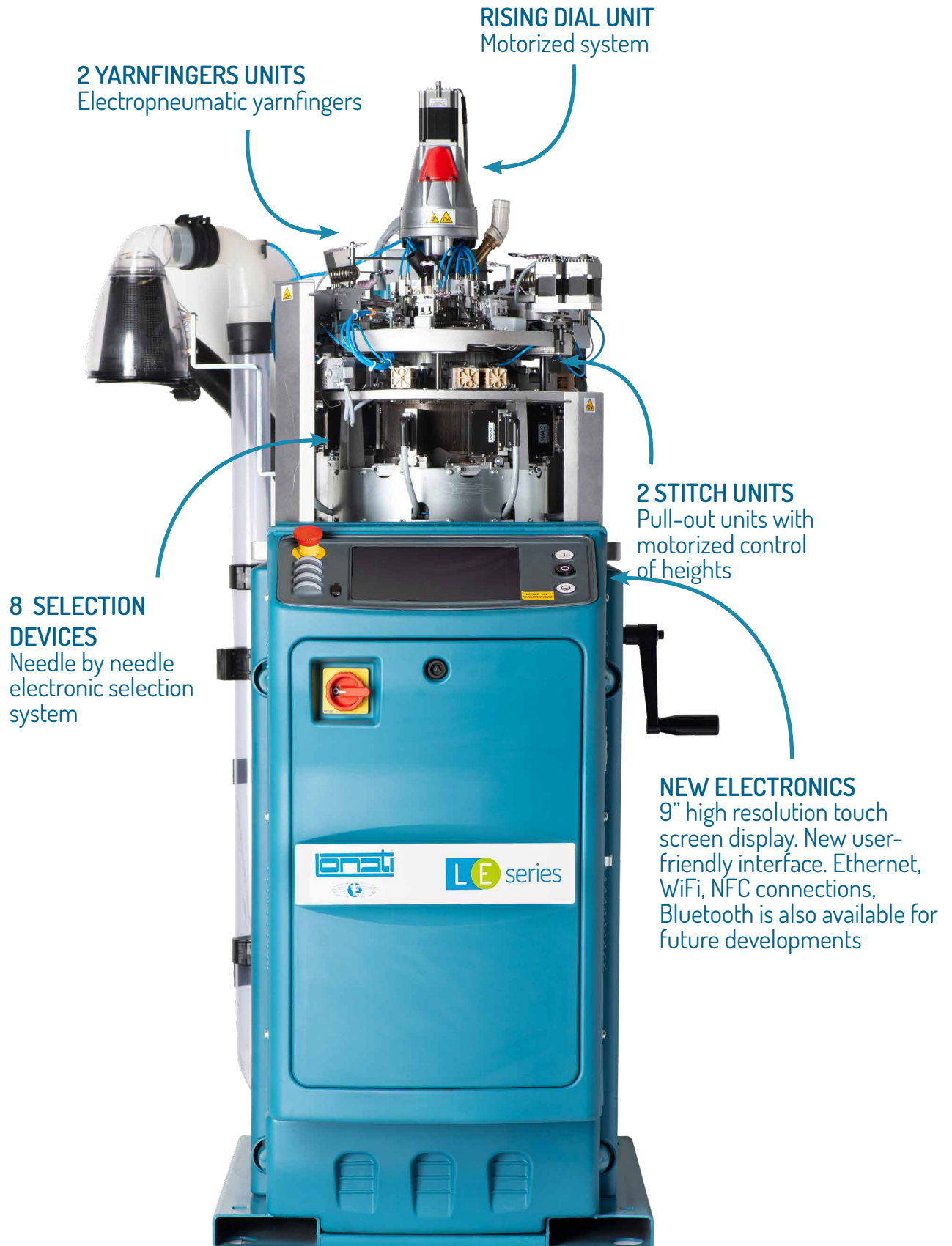
**L** **E** series

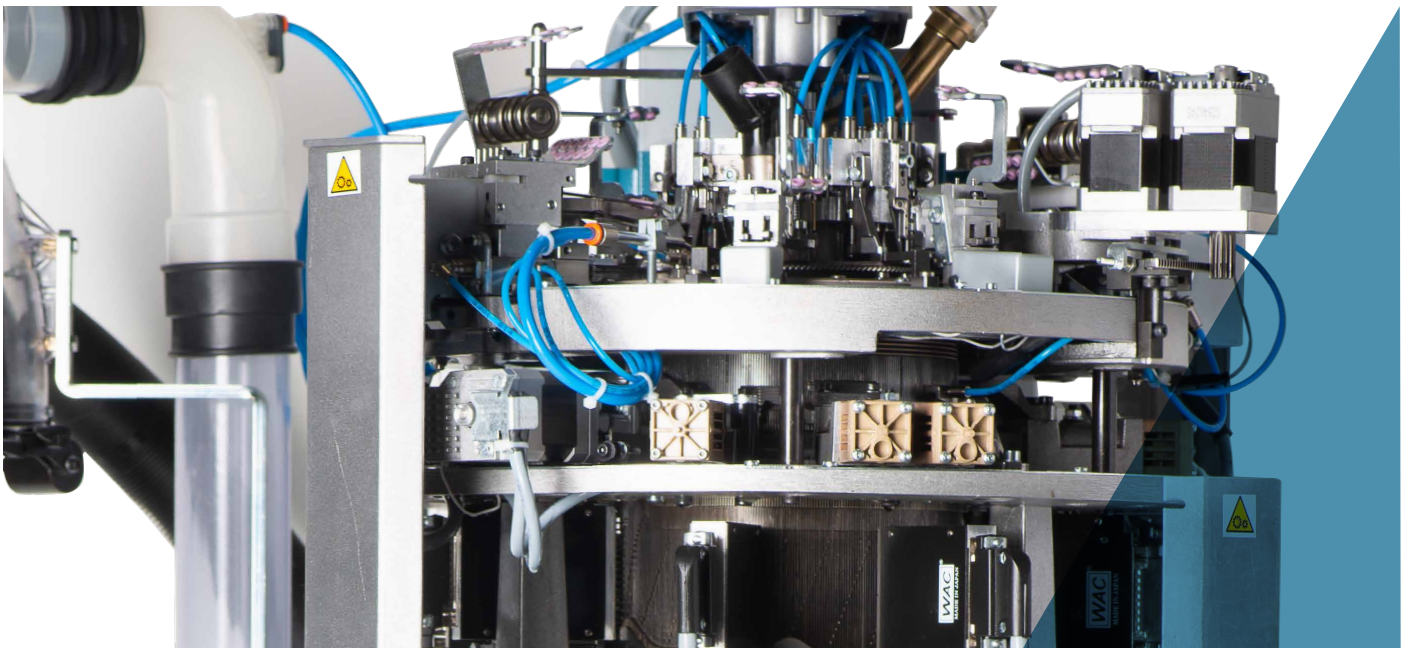
**WOMEN'S SINGLE CYLINDER**  
**LBEJ6**



# WOMEN'S SINGLE CYLINDER

LBEJ6





All images in this brochure are indicative and not binding.

## WOMEN'S SINGLE CYLINDER LBEJ6

Electropneumatic single cylinder machine with 2 feeds, plus 4 color groups exclusively for pattern with 8 needles by needles electronic selection devices.

5 yarnfingers with dual pneumatic control are available on each feed plus one plating motorized yarnfinger for angular movement and 2 pneumatic controls for height and depth. 2 yarnfingers each extra pattern feed.

Motorized stitch cams to obtain gradual or partial stitch narrowing or widening in any part of the sock. Leggings and sportswear options with 3 colors on each course.

Single or double dial jack.

Electronic device to maintain the size at any temperature of the machine.

- 2 feeds single cylinder machine
- 6 pliers suction unit
- 12 yarnfingers
- Motorized sinkers cap, 2 motors
- 2 stitch cams with motorized control of heights
- 2 electronic selection units on each feed plus 4 additional ones

### MACHINE DIMENSIONS



Length 60 cm + yarn creel cm 145  
Depth 60 cm + yarn creel cm 180  
Height 136 cm + yarn creel 265 cm

### MACHINE WEIGHT



Machine 230 kg  
Yarn creel 48 kg

### CERTIFICATION



Green  
Label

# WOMEN'S SINGLE CYLINDER

## LBEJ6

### TECHNICAL DATA

MODEL	CYLINDER DIAMETER	GAUGE	NEEDLE THICKNESS
LBEJ6 (Needle latch 8,7 mm)	6"	from 15 to 30	0.41-0.50-0.60-0.70 mm

Above data are indicative and not binding.

### TECHNICAL FEATURES

- 42 reels "cotton" yarn creel;
- Sock ejection hood;
- Yarn waste filter;
- Stepper motor controlled suction valve;
- Rotary or fixed antitwist device;
- 2 mobile stitch units with motorized height control;
- Motorized raising dial
- Motorized yarn cutter
- 6 pliers suction unit (plates, hooks and cut-pick);
- 4 yarn sliding sensors;
- Motorized radial plating on first yarnfinger ;
- Extra latch-opener;

### OPTIONAL DEVICES

- DREAM or DREAM ONE device for stretching socks in ejection
- 2,0 Kw suction fan
- Nautilus software licence
- Dinema GRYF device (dynamic tensioner for covered elastomer), 12 max
- PYF device with pulley
- Dinema PLUS device (dynamic tensioner for bare elastomer), 4 max
- Yarn sensors, 24 max

### SUITABLE YARNS

The machine is designed to be used with the following yarns

- Nylon;
- Filanca;
- Natural fibers;
- Elastomers (bare, single or double covered);

### POSSIBLE KNITTINGS

The standard machine can perform the following knittings

- Plain knit;
- 1:1, 3:1, 5:1, 7:1, 1:3 fixed mesh, micromesh and diagonal mesh;
- Several selections for vertical bands for cutting;
- Several patterns in laid-in, tuck stitch, bikini;
- Supp-hose on 2 feeds;
- Plating on 2 feeds;

# WOMEN'S SINGLE CYLINDER

## LBEJ6

### NUMBER OF COLORS

Number of colors

- Working feeds 2: 3 colors each course

### PERFORMANCES

	6" CYLINDER DIAMETER
GAUGE	from 15 to 30
MAXIMUM SPEED	300 RPM

Above data are indicative and not binding.

#### DISCLAIMER:

speed may need to be adjusted according to the inclination of the stitch cams, to the mechanical parts in use and to the yarn.

N.B. All data in the brochure are for information only and subject to change without any prior notice from Lonati SpA.

### ALLOWED PERFORMANCES

CHART OF MAXIMUM ALLOWED SPEED IN PLAIN KNIT IN RELATION TO THE INCLINATION TO THE STITCH CAMS

Stitch cam inclination	Maximum allowed speed in plain knit
58°	300

NUMBER OF POSSIBLE COLORS ON EACH COURSE ACCORDING TO THE NUMBER OF WORKING FEEDS

Working feeds	Number of colors
2°	3 each course

AVAILABLE CYLINDERS

GG70-0.41	576
GG54-0.50	496
GG48-0.60	400
GG36-0.70	288

Above data are indicative and not binding.

#### DISCLAIMER:

All data related to maximum allowed mechanical speed may require to be reduced (to be adjusted according to functional tests on the machine) when using specific particular yarns and/or knitting features.

# WOMEN'S SINGLE CYLINDER

## LBEJ6

### NOISE LEVEL

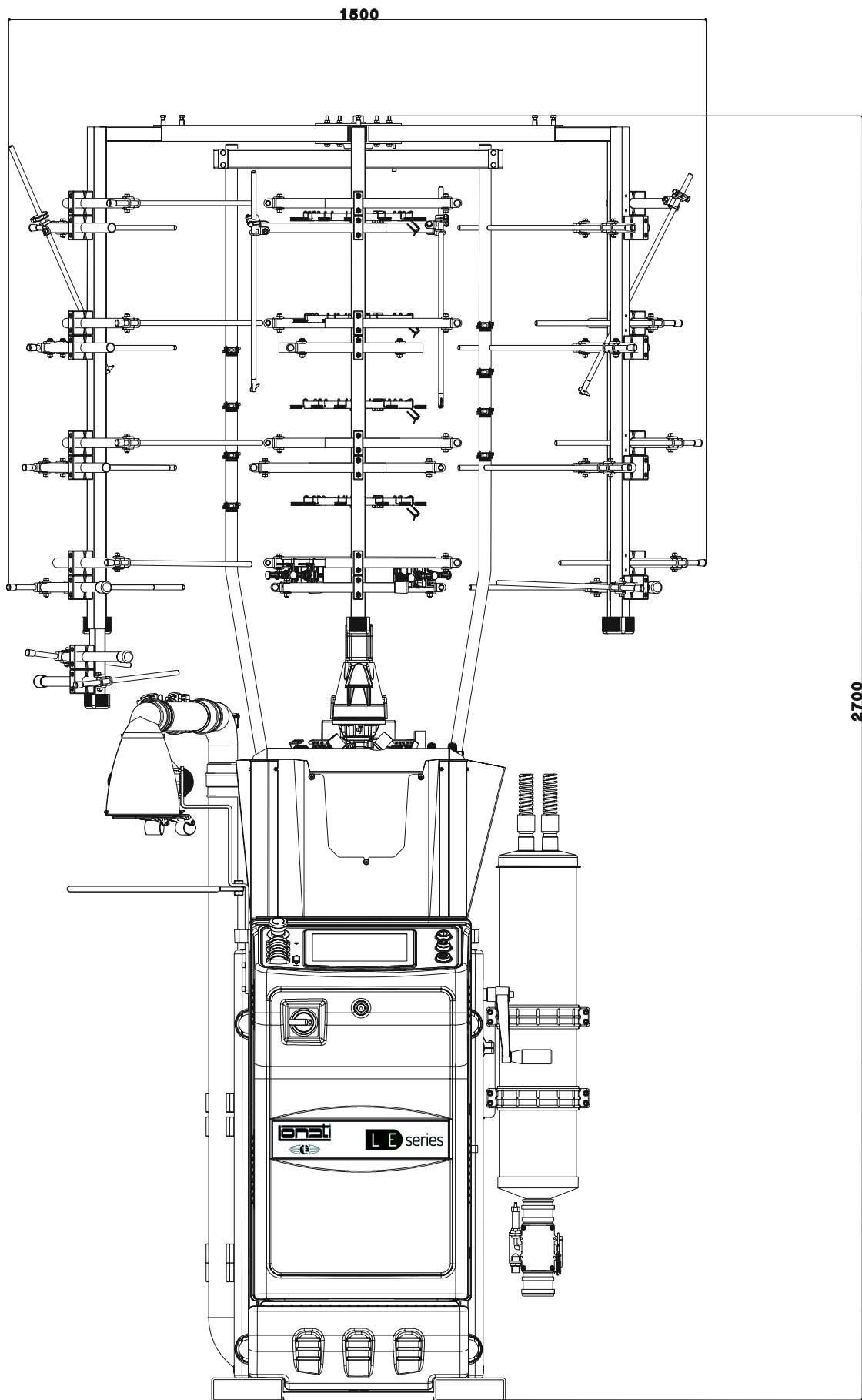
Machine average noise level, suction included LeqA = 74dBA

### LUBRICANTS

Average consumption for 500/600 dozens: 1000 gr. - Lonati recommends: Fuchs Renolin Trax 14C - Kluber Tex Sintheso M32 - Esso Eil 0287

### GREASE

For seals, bearings etc. Lonati recommends: Damping grease Nyogel 774F



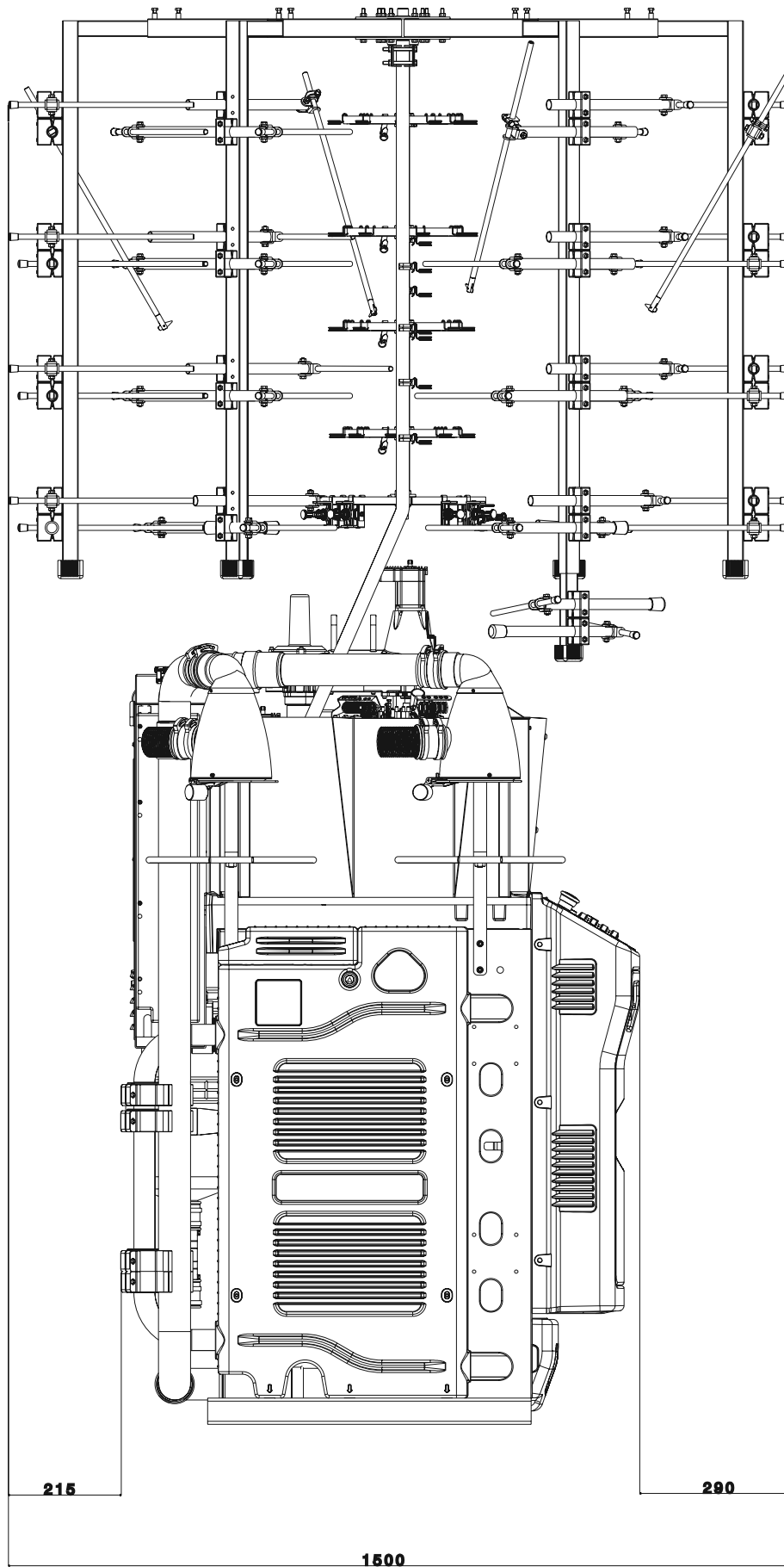
## FRONT VIEW

Machine dimensions with 40 reels yarn creel

### NOTE:

The picture may show fittings and equipment that are supplied on demand and not.





### SIDE VIEW

Machine dimensions with 40 reels yarn creel

### NOTE:

The picture may show fittings and equipment that are supplied on demand and not.







LONATI SPA

Via Francesco Lonati, 3 | 25124 Brescia (Italy)

Tel. +39 03023901 | Fax +39 030 2310024

C.F.: 01469680175 | P.iva: 02096730961

info@lonati.com - www.lonati.com